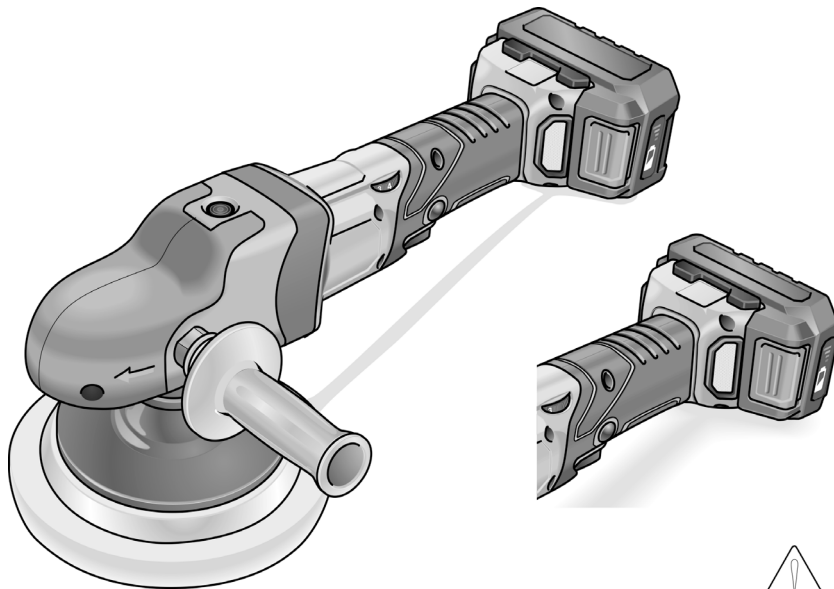


FLEX

POLISHER

PE 150 18.0-EC



Contents

Symbols used in this manual	2
For your safety	2
For your safety	2
Noise and vibration	4
Technical specifications	5
Overview	6
Operating instructions	7
Maintenance and care	11
Disposal information	11
Exemption from liability	11

Symbols used in this manual



WARNING!

Denotes impending danger. Non-observance of this warning may result in death or extremely severe injuries.



CAUTION!

Denotes a possibly dangerous situation. Non-observance of this warning may result in slight injury or damage to property.



NOTE

Denotes application tips and important information.

Symbols on the power tool



To reduce the risk of injury, read the operating instructions!



Wear goggles!



Disposal information for the old machine (see page 11)!

For your safety



WARNING!

Before using the power tool, please read and follow:

- these operating instructions,
- the "General safety instructions" on the handling of power tools in the enclosed booklet (leaflet-no.: 515.906),
- the currently valid site rules and the regulations for the prevention of accidents.

This power tool is state of the art and has been constructed in accordance with the acknowledged safety regulations.

Nevertheless, when in use, the power tool may be a danger to life and limb of the user or a third party, or the power tool or other property may be damaged.

The polisher may be used only

- as intended,
- in perfect working order.

Faults which impair safety must be repaired immediately.

Intended use

The polisher is designed

- for commercial use in industry and trade,
- for all types of polishing work with polishing sponges, lambskins and woolskins, felt plate, buffing disc,
- for use with polishing tools which are permitted to run at a speed of at least 1500 r.p.m.

Safety instructions for polishing



WARNING!

Read all safety warnings, instructions, illustrations and specifications provided with this power tool. Failure to follow all instructions listed below may result in electric shock, fire and/or serious injury. **Save all warnings and instructions for future reference.**

- **This power tool is intended to function as a polisher. Read all safety warnings, instructions, illustrations and specifications provided with this power tool.** Failure to follow all instructions listed below may result in electric shock, fire and/or serious injury.
- **Operations such as grinding, sanding, wire brushing, or cutting-off are not recommended to be performed with this power tool.**
Operations for which the power tool was not designed may create a hazard and cause personal injury.
- **Do not use accessories which are not specifically designed and recommended by the tool manufacturer.**
Just because the accessory can be attached to your power tool, it does not assure safe operation.
- **The rated speed of the accessory must be at least equal to the maximum speed marked on the power tool.**
Accessories running faster than their rated speed can break and fly apart.
- **The outside diameter and the thickness of your accessory must be within the capacity rating of your power tool.**
Incorrectly sized accessories cannot be adequately guarded or controlled.
- **Threaded mounting of accessories must match the grinder spindle thread. For accessories mounted by flanges, the arbour hole of the accessory must fit the locating diameter of the flange.**
Accessories that do not match the mounting hardware of the power tool will run out of balance, vibrate excessively and may cause loss of control.
- **Do not use a damaged accessory. Before each use inspect the accessory such as abrasive wheels for chips and cracks, backing pad for cracks, tear or excess wear, wire brush for loose or cracked wires. If power tool or accessory is dropped, inspect for damage or install an undamaged accessory. After inspecting and installing an accessory, position yourself and bystanders away from the plane of the rotating accessory and run the power tool at maximum no-load speed for one minute.**
Damaged accessories will normally break apart during this test time.
- **Wear personal protective equipment.** Depending on application, use face shield, safety goggles or safety glasses. As appropriate, wear dust mask, hearing protectors, gloves and shop apron capable of stopping small abrasive or workpiece fragments.
The eye protection must be capable of stopping flying debris generated by various operations. The dust mask or respirator must be capable of filtrating particles generated by your operation. Prolonged exposure to high intensity noise may cause hearing loss.
- **Keep bystanders a safe distance away from work area. Anyone entering the work area must wear personal protective equipment.**
Fragments of workpiece or of a broken accessory may fly away and cause injury beyond immediate area of operation.
- **Position the cord clear of the spinning accessory.** If you lose control, the cord may be cut or snagged and your hand or arm may be pulled into the spinning accessory.
- **Never lay the power tool down until the accessory has come to a complete stop.**
The spinning accessory may grab the surface and pull the power tool out of your control.
- **Do not run the power tool while carrying it at your side.**
Accidental contact with the spinning accessory could snag your clothing, pulling the accessory into your body.
- **Regularly clean the power tool's air vents.**
The motor's fan will draw the dust inside the housing and excessive accumulation of powdered metal may cause electrical hazards.
- **Do not operate the power tool near flammable materials.**
Sparks could ignite these materials.
- **Do not use accessories that require liquid coolants.**
Using water or other liquid coolants may result in electrocution or shock.

Kickback and Related Warnings

Kickback is a sudden reaction to a pinched or snagged rotating wheel, backing pad, brush or any other accessory. Pinching or snagging causes rapid stalling of the rotating accessory which in turn causes the uncontrolled power tool to be forced in the direction opposite of the accessory's rotation at the point of the binding. For example, if an abrasive wheel is snagged or pinched by the workpiece, the edge of the wheel that is entering into the pinch point can dig into the surface of the material causing the wheel to climb out or kick out. The wheel may either jump toward or away from the operator, depending on direction of the wheel's movement at the point of pinching. Abrasive wheels may also break under these conditions. Kickback is the result of power tool misuse and/or incorrect operating procedures or conditions and can be avoided by taking proper precautions as given below.

- **Maintain a firm grip on the power tool and position your body and arm to allow you to resist kickback forces. Always use auxiliary handle, if provided, for maximum control over kickback or torque reaction during start-up.**

The operator can control torque reactions or kickback forces, if proper precautions are taken.

- **Never place your hand near the rotating accessory.**
Accessory may kickback over your hand.
- **Do not position your body in the area where power tool will move if kickback occurs.**
Kickback will propel the tool in direction opposite to the wheel's movement at the point of snagging.
- **Use special care when working corners, sharp edges etc. Avoid bouncing and snagging the accessory.**
Corners, sharp edges or bouncing have a tendency to snag the rotating accessory and cause loss of control or kickback.

Safety Warnings Specific for Polishing Operations

- **Do not allow any loose portion of the polishing bonnet or its attachment strings to spin freely. Tuck away or trim any loose attachment strings.** Loose and spinning attachment strings can entangle your fingers or snag on the workpiece.

Additional safety instructions

- Do not press the spindle lock until the tool stops.

Noise and vibration

The noise and vibration values have been determined in accordance with EN 60745-2-3.

The A evaluated noise level of the power tool is typically:

- Sound pressure level L_{pA} : 69.8 dB(A);
- Sound power level L_{WA} : 80.8 dB(A);
- Uncertainty: $K = 3.0$ dB.

Total vibration value (when polishing painted surfaces):

- Emission value a_H : $< 2.5 \text{ m/s}^2$
- Uncertainty: $K = 1.5 \text{ m/s}^2$



CAUTION!

The indicated measurements refer to new power tools. Daily use causes the noise and vibration values to change.



NOTE

The vibration emission level given in this information sheet has been measured in accordance with a standardised test given in EN 60745-2-3 and may be used to compare one tool with another. It may be used for a preliminary assessment of exposure. The declared vibration emission level represents the main applications of the tool. However if the tool is used for different applications, with different accessories or poorly maintained, the vibration emission may differ. This may significantly increase the exposure level over the total working period.

For a precise estimation of the vibration load the times should also be considered during which the power tool is switched off or even running, but not actually in use.

PE 150 18.0-EC

en

This may significantly decrease the exposure level over the total working period. Identify additional safety measures to protect the operator from the effects of vibration such as: maintain the tool and the accessories, keep the hands warm, organisation of work patterns.

**CAUTION!**

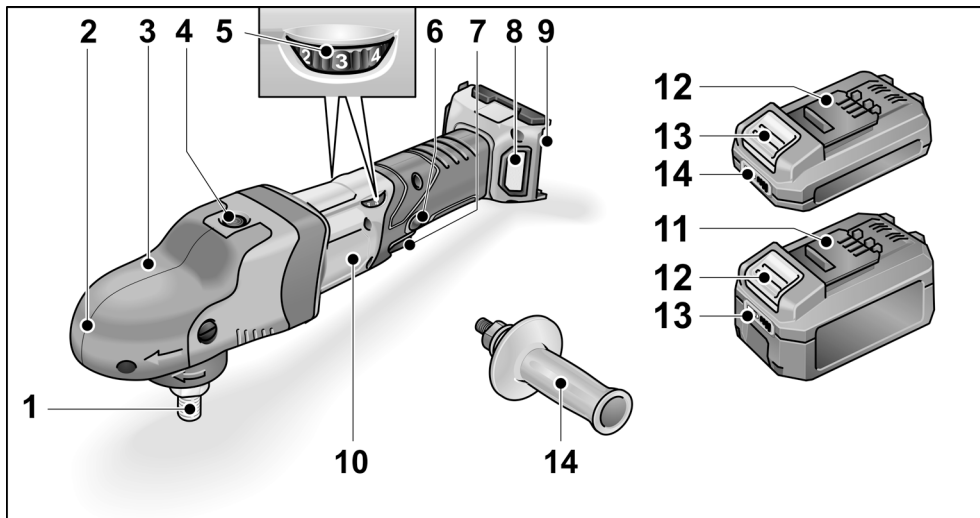
Wear ear protection at a sound pressure above 85 dB(A).

Technical specifications

		PE 150 18.0-EC
Machine type		Polisher
Nominal voltage	V	18
Battery		AP 18.0/2.5 AP 18.0/5.0
Tool holder		M14
Tool Ø max.	mm	160
No load speed	r.p.m.	(150)* 900-1,450
Weight according to "EPTA Procedure 01/2003" (without battery)	kg	1.9
Weight of battery		
- AP 18.0/2.5	kg	0.42
- AP 18.0/5.0	kg	0.72
Average battery life (depending on speed, tool diameter, load ...)		
- AP 18.0/2.5	min	15
- AP 18.0/5.0	min	30
A-weighted sound pressure level according to EN 60745-2-3 (see "Noise and vibration"):		
Sound pressure level L_{pA}	dB(A)	69.8
Sound power level L_{WA}	dB(A)	80.8
Uncertainty K	db	3.0
Total vibration value according to EN 60745-2-3 (see "Noise and vibration"):		
Emission value a_h	m/s^2	<2.5
Uncertainty K	m/s^2	1.5

* Start speed of acceleration function

Overview



- | | |
|---|--|
| <p>1 Spindle</p> <p>2 Gear head with handle cover
With air outlet and direction-of-rotation arrow.</p> <p>3 Fastening screw for handle cover</p> <p>4 Spindle lock
Secures the spindle when the tool is changed.</p> <p>5 Dial for preselecting the speed</p> <p>6 Locking button
Locks the switch (7) during continuous operation.</p> | <p>7 Switch
Switches the power tool on and off and also accelerates it up to the preselected speed.</p> <p>8 Filter cover</p> <p>9 Slot for battery</p> <p>10 Rating plate</p> <p>11 Li-ion battery (2.5 Ah or 5.0 Ah)</p> <p>12 Release button for battery</p> <p>13 State of charge indicator</p> <p>14 Handle</p> |
|---|--|

Operating instructions

⚠ WARNING!
Remove the battery before carrying out any work on the power tool.

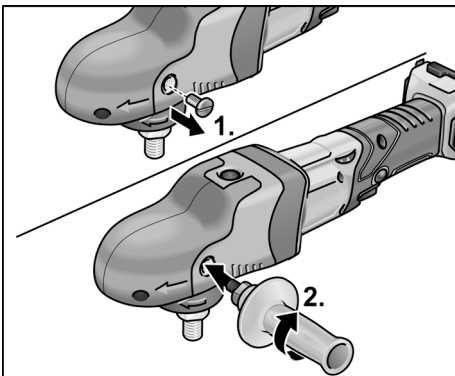
Before switching on the power tool

Unpack the polisher and check that there are no missing or damaged parts.

i NOTE
The batteries are not fully charged on delivery. Prior to initial operation, charge the batteries fully. Refer to the charger operating manual.

Attaching the auxiliary handle

The auxiliary handle can be attached to improve handling of the polisher.



To do this, remove the handle cover fastening screw from the side on which the handle is to be attached.

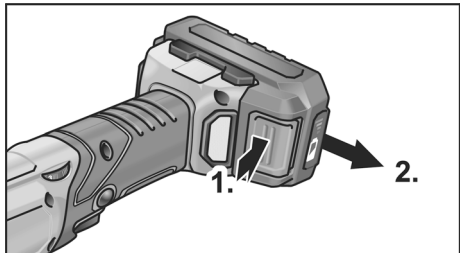
When removing the handle, put back the screw which was removed beforehand.

Inserting/replacing the battery

- Press the charged battery into the power tool until it clicks into place.



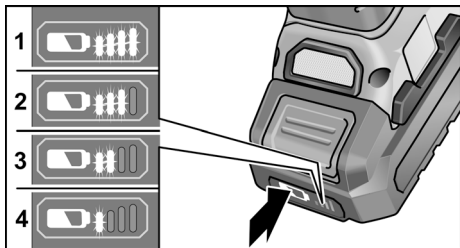
- To remove, press the release button (1.) and pull out the battery (2.).



⚠ CAUTION!
When the device is not in use, protect the battery contacts. Loose metal parts may short-circuit the contacts; explosion and fire hazard!

Battery state of charge

- Press the button to check the state of charge at the state of charge indicator LEDs.



The indicator goes out after 5 seconds.

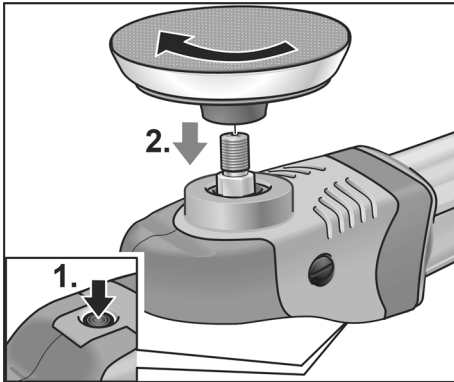
If one of the LEDs flashes, the battery must be recharged. If none of the LEDs light up after the button is pressed, the battery is faulty and must be replaced.

en

PE 150 18.0-EC

Attaching tool holder

- Remove the battery.



- Press and hold down the spindle lock (1.)
- Screw tool holder (Velcro plate) in clockwise direction onto spindle and tighten by hand (2.).
- Secure tool on tool holder.
- Insert the battery.
- Switch on the polisher (without engaging it) and run the polisher for approx. 30 seconds. Check for imbalances and vibrations.
- Switch off the polisher.

Changing tool holder

- Remove the battery.
- Press and hold down the spindle lock.
- Unscrew tool holder in anti-clockwise direction and remove it from the spindle by turning.
- Secure new tool holder (see above).
- Insert the battery.

Attaching the tools



CAUTION!

Attach tools centrally on tool holder.
Imbalances may damage the power tool.
The work result may be impaired.



NOTE

Use original FLEX accessories on this model. Not using original FLEX accessories may lead to a poor polishing result, increased vibrations and also greater wear or even damage to the power tool.

Information concerning foam wear

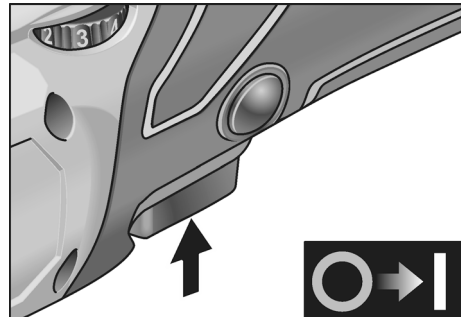


NOTE

In general, foam wear is much higher in connection with free-wheeling eccentric polishing that with rotational polishing or force-driven eccentric polishing.
Due to the drive, this wear does not take place on the outside of the foam but at the foam core instead. The harder/longer the cell structure is subjected to strain and damaged as a result, the faster the build-up of heat. Subsequent damage is inevitable. Wear of this kind cannot be seen on the foam externally. The only reliable action is replacement and disposal in good time to prevent thermal damage to the power tool.

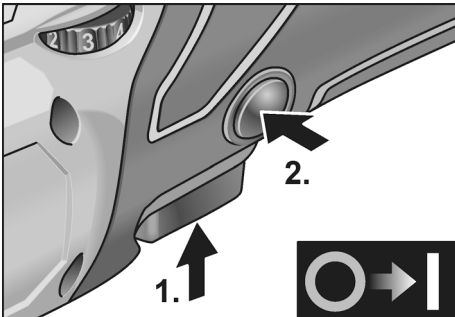
Switching on and off

Brief operation without engaged switch rocker

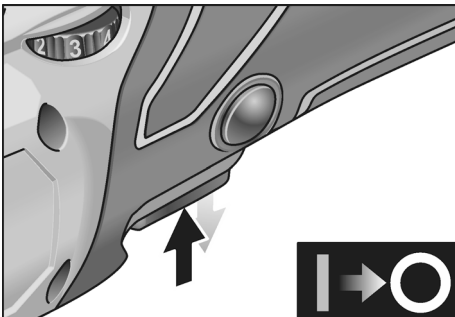


- Press and hold down the switch.
- To switch off, release the switch.

Continuous operation with engaged switch rocker

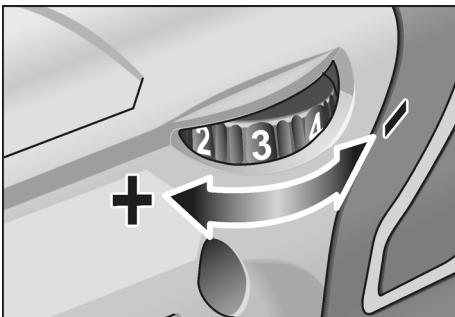


- Press and hold down switch (1).
- To lock into position, hold down the locking button and release the switch (2).



- To switch off, briefly press and release the switch.

Preselecting the speed



- To set the operating speed, move the dial to the required value.
- Gently press the switch to accelerate the power tool up to the preselected speed.

CAUTION!

Risk of injury due to destruction of the tool. Use the appropriate tool for the job.

NOTE

In the event of overload or overheating in non-stop operation, the power tool will switch off.

To continue working, switch the power tool off and back on again.

Operating instructions

NOTE

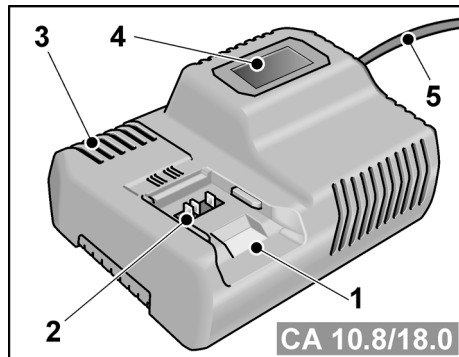
When the power tool is switched off, the tool continues running briefly.

If using a polishing paste, use the respective tool for each paste.

Sponges can be washed in the washing machine.

For further information on the manufacturer's products go to www.flex-tools.com.

Charger



- 1 Insertion slot for battery
- 2 Contacts
- 3 Ventilation slots
- 4 Operating state display
- 5 Power cord with mains plug

The CA 10.8/18.0 charger is designed to charge FLEX batteries of the following types

- AP 10.8 (2.5 Ah),
- AP 18.0 (2.5 Ah),
- AP 10.8 (5.0 Ah),
- AP 18.0 (5.0 Ah).

Tips for a long battery service life

CAUTION!

- *Never charge batteries at temperatures below 0 °C or above 55 °C.*
- *Do not charge batteries in environments with high air humidity or ambient temperature*
- *Do not cover batteries and the charger during the charging process.*
- *Pull out the charger mains plug at the end of the charging process.*

Battery and charger heat up during the charging process. This is perfectly normal!

Lithium-ion batteries do not exhibit the established "memory effect". Nevertheless, a battery should be completely discharged before charging and the charging process should always be fully completed.

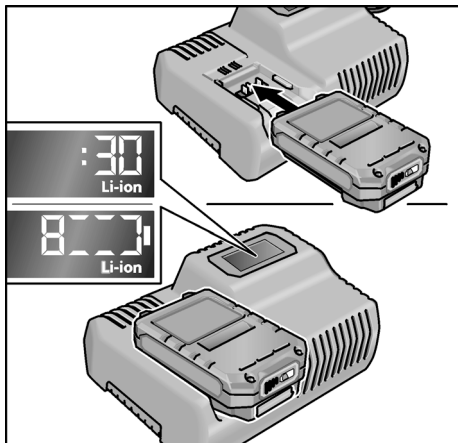
If batteries are not used for an extended period of time, store them partially charged in a cool place.

Charging process

CAUTION!


Insert only original batteries in the supplied charger.

- Insert the charger mains plug. The display backlighting lights up green for 2 seconds and then goes out again. OK is displayed.



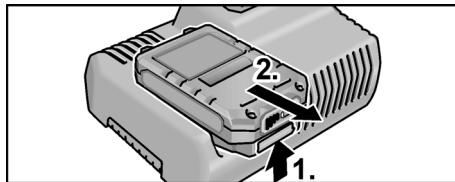
- Insert the battery fully into the charger until it clicks into place.

- The time remaining in the charging process (until the battery is fully charged) and a graphic representation of the state of charge are shown alternately in the display.
- The display backlighting lights up orange when the battery is charged less than 80%.
- When the battery charge reaches 80% the display lights up green and OK is indicated.

- The battery is fully charged when the display  appears.

The green backlighting goes out after a short time.

- Remove the battery from the charger.



- Pull out the mains plug.

NOTE

If the display flashes after the battery is inserted in the charger, there is a fault in the battery or in the charger.



*Display flashes slowly.
Backlighting orange.*

The battery is too hot or too cold. The charging process starts when the battery reaches the charging temperature (0°C...55°C).



*Display flashes rapidly.
Backlighting red.*

Remove the battery from the charger and insert again. If the same display persists, the battery is faulty. Replace the battery or have it checked at an authorised repair shop.

If this error message is displayed again with a different battery, this indicates that there is a fault in the charger. Have the charger checked at an authorised repair shop.

Maintenance and care

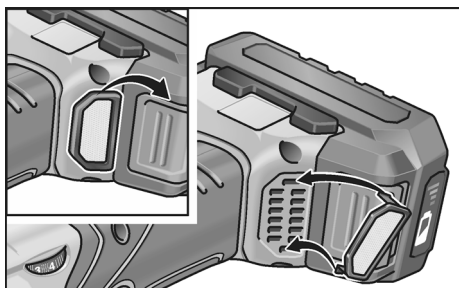


WARNING!

Remove the battery before carrying out any work on the power tool.

Cleaning

- Clean the power tool and grille in front of the vent slots regularly. Frequency of cleaning is dependent on the material and duration of use.
- Regularly blow out the housing interior and motor with dry compressed air.
- Regularly clean the filter cover.



Remove filter cover and blow it out with dry compressed air.

Gears



NOTE

Do not completely remove the handle cover during the warranty period. Non-compliance will deem the guarantee obligations of the manufacturer null and void.

Repairs

Repairs may be carried out by an authorised customer service centre only.

Spare parts and accessories

For other accessories, in particular tools and polishing aids, see the manufacturer's catalogues.

Exploded drawings and spare-part lists can be found on our homepage:

www.flex-tools.com

Disposal information



WARNING!

Render redundant power tools unusable:

- mains operated power tool by removing the power cord,
- battery operated power tool by removing the battery.



EU countries only

Do not throw electric power tools into the household waste! In accordance with the European

Directive 2012/19/EU on Waste Electrical and Electronic Equipment and transposition into national law used electric power tools must be collected separately and recycled in an environmentally friendly manner.



Raw material recovery instead of waste disposal.

Device, accessories and packaging should be recycled in an environmentally friendly manner. Plastic parts are identified for recycling according to material type.



WARNING!

Do not throw batteries into the household waste, fire or water. Do not open used batteries.

EU countries only:

In accordance with Directive 2006/66/EC defective or used batteries must be recycled.



NOTE

Please ask your dealer about disposal options!

Exemption from liability

The manufacturer and his representative are not liable for any damage and lost profit due to interruption in business caused by the product or by an unusable product. The manufacturer and his representative are not liable for any damage which was caused by improper use of the power tool or by use of the power tool with products from other manufacturers.

FLEX WARRANTY POLICY

For warranty service, please contact FLEX customer service on Australia 1300 000 346 or New Zealand 0508 000 346.

Chervon Australia Pty Ltd ABN 36 165 077 501 and Chervon New Zealand Subsidiary Ltd NZBN 9429049277616 ("Chervon") warrants to the original domestic purchaser that this product will be free from defects in materials and workmanship for 2 years from date of purchase and an additional 1 Year (For a total of 3 Years) with registration via www.flex-tools.com.au or www.flex-tools.co.nz within 30 days of the original purchase. To make a claim, return the faulty item together with proof of purchase directly to your closest service agent or to the place of purchase. Any handling and transportation costs (and other expenses incurred in claiming this warranty) are not covered by this warranty and will not be borne by Chervon. The replacement product or part or repaired product will be made available for your collection at an address nominated by Chervon. Where a valid warranty claim is made, Chervon will replace the defective product or repair the fault. Where the product is repaired, Chervon may use refurbished parts. This warranty does not cover normal wear and tear, misuse, abuse, or continuous industrial use. This warranty only applies to product purchased by you, inside Australia or New Zealand from authorised Australian or New Zealand FLEX dealers. This warranty may also be further limited or voided as specifically detailed in the product Manual. Chervon has no other liability under this warranty. The benefits to you given by this warranty are in addition to other rights and remedies imposed by State and Federal legislation that cannot be excluded. Our goods come with guarantees that cannot be excluded under the Australian Consumer Law and the New Zealand Consumer Guarantee Act 1993. You are entitled to a replacement or refund for a major failure and compensation for any other reasonably foreseeable loss or damage. You are also entitled to have the goods repaired or replaced if the goods fail to

be of acceptable quality and the failure does not amount to a major failure. Chervon Australia Pty Ltd, Unit 14, 5 Kelletts Rd, Rowville, VIC 3178. Chervon New Zealand Subsidiary Ltd, 4th Floor, Smith & Caughey Building, 253 Queen St, Auckland, 1141 Ph: 1300 000 346.
Email: support@flex-tools.com.au

The word "FLEX" is written in a bold, white, sans-serif font on a dark grey rectangular background.

Chervon Australia Pty Ltd,
Unit 14, 5 Kelletts Road, Rowville, VIC 3178.

Email: support@flex-tools.com.au

www.flex-tools.com.au
www.flex-tools.co.nz

513.792 / 06-2021

For all FLEX warranty and enquiries, please contact Australia 1300 000 346 or
New Zealand 0508 000 346