

FLEX

OPERATOR'S MANUAL



Model: FXA1231

24V BRUSHLESS HAMMER DRILL


⚠ WARNING: To reduce the risk of injury, the user must read and understand the Owner's Manual before using this product. Save these instructions for future reference.



Please contact FLEX customer service in Australia 1300 000 346 or
New Zealand 0508 000 346 any time you have questions or warranty claims.

SAFETY SYMBOLS

The purpose of safety symbols is to attract your attention to possible dangers. The safety symbols and the explanations with them deserve your careful attention and understanding. The symbol warnings do not, by themselves, eliminate any danger. The instructions and warnings they give are no substitutes for proper accident prevention measures.

 **WARNING** Be sure to read and understand all safety instructions in this Operator's Manual, including all safety alert symbols such as "**DANGER**," "**WARNING**," and "**CAUTION**" before using this tool. Failure to follow all instructions listed below may result in electric shock, fire, and/or serious personal injury.

The definitions below describe the level of severity for each signal word. Please read the manual and pay attention to these symbols.



This is the safety alert symbol. It is used to alert you to potential personal injury hazards. Obey all safety messages that follow this symbol to avoid possible injury or death.



DANGER indicates a hazardous situation which, if not avoided, will result in death or serious injury.



WARNING indicates a hazardous situation which, if not avoided, could result in death or serious injury.



CAUTION, used with the safety alert symbol, indicates a hazardous situation which, if not avoided, will result in minor or moderate injury.

GENERAL POWER TOOL SAFETY WARNINGS



WARNING Read all safety warnings, instructions, illustrations and specifications provided with this power tool. Failure to follow all instructions listed below may result in electric shock, fire and/or serious injury.

SAVE ALL WARNINGS AND INSTRUCTIONS FOR FUTURE REFERENCE.

The term “power tool” in the warnings refers to your mains-operated (corded) power tool or battery operated (cordless) power tool.

Work area safety

Keep work area clean and well lit. Cluttered or dark areas invite accidents.

Do not operate power tools in explosive atmospheres, such as in the presence of flammable liquids, gases or dust. Power tools create sparks which may ignite the dust or fumes.

Keep children and bystanders away while operating a power tool. Distractions can cause you to lose control.

Electrical safety

Power tool plugs must match the outlet. Never modify the plug in any way. Do not use any adapter plugs with earthed (grounded) power tools. Unmodified plugs and matching outlets will reduce risk of electric shock.

Avoid body contact with earthed or grounded surfaces, such as pipes, radiators, ranges and refrigerators. There is an increased risk of electric shock if your body is earthed or grounded.

Do not expose power tools to rain or wet conditions. Water entering a power tool will increase the risk of electric shock.

Do not abuse the cord. Never use the cord for carrying, pulling or unplugging the power tool. Keep cord away from heat, oil, sharp edges or moving parts. Damaged or entangled cords increase the risk of electric shock.

When operating a power tool outdoors, use an extension cord suitable for outdoor use. Use of a cord suitable for outdoor use reduces the risk of electric shock.

If operating a power tool in a damp location is unavoidable, use a residual current device (RCD) protected supply. Use of an RCD reduces the risk of electric shock.

Personal safety

Stay alert, watch what you are doing and use common sense when operating a power tool. Do not use a power tool while you are tired or under the influence of drugs, alcohol or medication. A moment of inattention while operating power tools may result in serious personal injury.

Use personal protective equipment. Always wear eye protection. Protective equipment such as a dust mask, non-skid safety shoes, hard hat or hearing protection used for appropriate conditions will reduce personal injuries.

Prevent unintentional starting. Ensure the switch is in the off-position before connecting to power source and/or battery pack, picking up or carrying the tool. Carrying power tools with your finger on the switch or energizing power tools that have the switch on invites accidents.

Remove any adjusting key or wrench before turning the power tool on. A wrench or a key left attached to a rotating part of the power tool may result in personal injury.

Do not overreach. Keep proper footing and balance at all times. This enables better control of the power tool in unexpected situations.

Dress properly. Do not wear loose clothing or jewelry. Keep your hair and clothing away from moving parts. Loose clothes, jewelry or long hair can be caught in moving parts.

If devices are provided for the connection of dust extraction and collection facilities, ensure these are connected and properly used. Use of dust collection can reduce dust-related hazards.

Do not let familiarity gained from frequent use of tools allow you to become complacent and ignore tool safety principles. A careless action can cause severe injury within a fraction of a second.

Power tool use and care

Do not force the power tool. Use the correct power tool for your application. The correct power tool will do the job better and safer at the rate for which it was designed.

Do not use the power tool if the switch does not turn it on and off. Any power tool that cannot be controlled with the switch is dangerous and must be repaired.

Disconnect the plug from the power source and/or remove the battery pack, if detachable, from the power tool before making any adjustments, changing accessories, or storing power tools. Such preventive safety measures reduce the risk of starting the power tool accidentally.

Store idle power tools out of the reach of children and do not allow persons unfamiliar with the power tool or these instructions to operate the power tool. Power tools are dangerous in the hands of untrained users.

Maintain power tools and accessories. Check for misalignment or binding of moving parts, breakage of parts and any other condition that may affect the power tool's operation. If damaged, have the power tool repaired before use. Many accidents are caused by poorly maintained power tools.

Keep cutting tools sharp and clean. Properly maintained cutting tools with sharp cutting edges are less likely to bind and are easier to control.

Use the power tool, accessories and tool bits etc. in accordance with these instructions, taking into account the working conditions and the work to be performed. Use of the power tool for operations different from those intended could result in a hazardous situation.

Keep handles and grasping surfaces dry, clean and free from oil and grease. Slippery handles and grasping surfaces do not allow for safe handling and control of the tool in unexpected situations.

Battery tool use and care

Recharge only with the charger specified by the manufacturer. A charger that is suitable for one type of battery pack may create a risk of fire when used with another battery pack.

Use power tools only with specifically designated battery packs. Use of any other battery packs may create a risk of injury and fire.

When battery pack is not in use, keep it away from other metal objects, like paper clips, coins, keys, nails, screws or other small metal objects, that can make a connection from one terminal to another. Shorting the battery terminals together may cause burns or a fire.

Under abusive conditions, liquid may be ejected from the battery; avoid contact. If contact accidentally occurs, flush with water. If liquid contacts eyes, additionally seek medical help. Liquid ejected from the battery may cause irritation or burns.

Do not use a battery pack or tool that is damaged or modified. Damaged or modified batteries may exhibit unpredictable behavior resulting in fire, explosion or risk of injury.

Do not expose a battery pack or tool to fire or excessive temperature. Exposure to fire or temperature above 130 °C may cause explosion.

Follow all charging instructions and do not charge the battery pack or tool outside the temperature range specified in the instructions. Charging improperly or at temperatures outside the specified range may damage the battery and increase the risk of fire.

Service

Have your power tool serviced by a qualified repair person using only identical replacement parts. This will ensure that the safety of the power tool is maintained.

Never service damaged battery packs. Service of battery packs should only be performed by the manufacturer or authorized service providers.

SAFETY WARNINGS FOR HAMMER DRILL

Safety instructions for all operations:










- **Wear ear protectors when impact drilling.** Exposure to noise can cause hearing loss.
- **Hold the power tool by insulated gripping surfaces, when performing an operation where the cutting accessory or fastener may contact hidden wiring.** Cutting accessory or fasteners contacting a “live” wire may make exposed metal parts of the power tool “live” and could give the operator an electric shock.
- **Secure the work piece.** Clamping devices or a vise will hold the work piece in place better and more safely than holding it by hand.
- **Do not drill, fasten or break into existing walls or other blind areas where electrical wiring may exist. If this situation is unavoidable, disconnect all fuses or circuit breakers feeding this worksite.**
- **Position yourself to avoid being caught between the tool and walls or posts.** Should the bit become bound or jammed in the work, the reaction torque of the tool could crush your hand or leg.


Safety instructions when using long drill bits:

- Never operate at higher speed than the maximum speed rating of the drill bit. At higher speeds, the bit is likely to bend if allowed to rotate freely without contacting the workpiece, resulting in personal injury.
- Always start drilling at low speed and with the bit tip in contact with the workpiece.
- At higher speeds, the bit is likely to bend if allowed to rotate freely without contacting the workpiece, resulting in personal injury.
- Apply pressure only in direct line with the bit and do not apply excessive pressure. Bits can bend causing breakage or loss of control, resulting in personal injury.

SYMBOLS

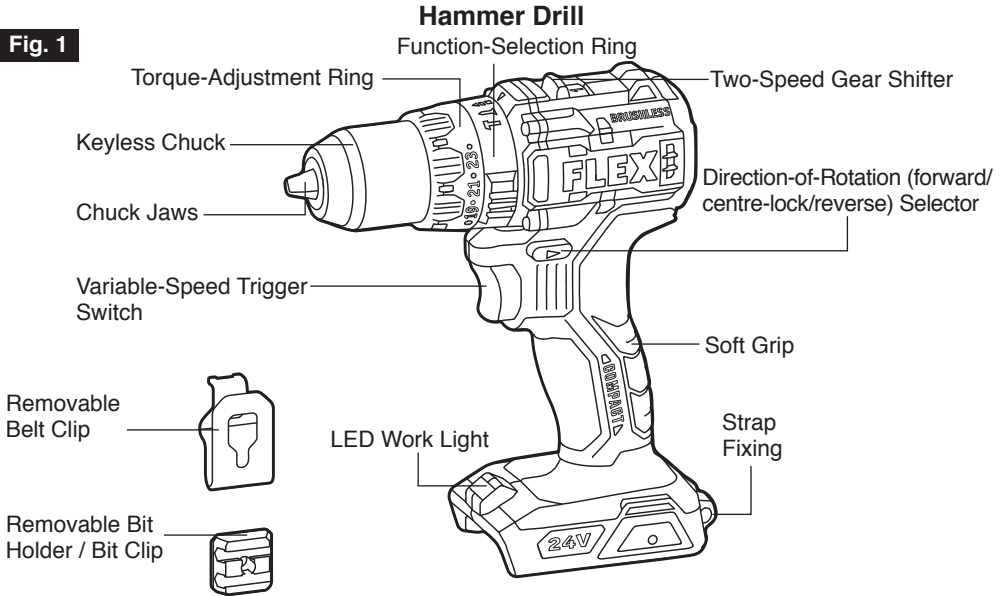
IMPORTANT: Some of the following symbols may be used on your tool. Please study them and learn their meaning. Proper interpretation of these symbols will allow you to operate the tool better and safer.


Symbol	Name	Designation/Explanation
V	Volts	Voltage
A	Amperes	Current
Hz	Hertz	Frequency (cycles per second)
W	Watt	Power
kg	Kilograms	Weight
min	Minutes	Time
s	Seconds	Time
Wh	Watt-hours	Battery capacity
Ah	Ampere-hours	Battery capacity
∅	Diameter	Size of drill bits, grinding wheels, etc.
n_0	No load speed	Rotational speed, at no load
n	Rated speed	Maximum attainable speed
.../min	Revolutions or reciprocations per minute (rpm)	Revolutions, strokes, surface speed, orbits, etc. per minute
O	Off position	Zero speed, zero torque...
1,2,3,... I,II,III,	Selector settings	Speed, torque, or position settings. Higher number means greater speed
	Infinitely variable selector with off	Speed is increasing from 0 setting
	Arrow	Action in the direction of arrow
	Alternating current (AC)	Type or a characteristic of current
	Direct current (DC)	Type or a characteristic of current
	Alternating or direct current (AC / DC)	Type or a characteristic of current
	Class II tool	Designates Double Insulated Construction tools.
	Disposal information for the old machine	Do not throw electric power tools into the household waste!
	Read the instructions	Alerts user to read manual
	Wear eye protection symbol	Alerts user to wear eye protection

Symbol	Name	Designation/Explanation
	Regulatory compliance mark	This product complies with applicable Australian standards.

FUNCTIONAL DESCRIPTIONS & SPECIFICATIONS

Fig. 1



Model No.	FXA1231
Rated Voltage	24 V d.c.
Chuck Capacity	Max. Φ 13 mm
No-load Speed	0-500/1800 /min (RPM)
Impact Rate	0-8000/28800 /min (BPM)
Maximum Torque	73 Nm
Clutch Settings	24+ 
Recommended Operating Temperature	-20 – 40°C
Recommended Storage Temperature	< 50°C

Intended Use

The brushless hammer drill is intended for drilling holes, drilling wood, drilling metal, driving screws and drilling masonry.

ASSEMBLY

⚠ WARNING Detach the battery pack from the tool before performing any assembly or adjustments, or changing accessories. Such preventive safety measures reduce the risk of starting the tool accidentally.

TO ATTACH/DETACH BATTERY PACK (FIG. 2)

Lock the variable-speed trigger switch “OFF” on the tool by placing the direction-of-rotation (forward/centre-lock/reverse) selector in the centre position before attaching or detaching the battery pack.

To attach the battery pack:

Align the raised rib on the battery pack with the grooves in the tool, and then slide the battery pack onto the tool.

NOTICE: When placing the battery pack onto the tool, be sure that the raised rib on the battery pack aligns with the groove inside the tool and that the latches snap into place properly. Improper attachment of the battery pack can cause damage to internal components.

To detach the battery pack:

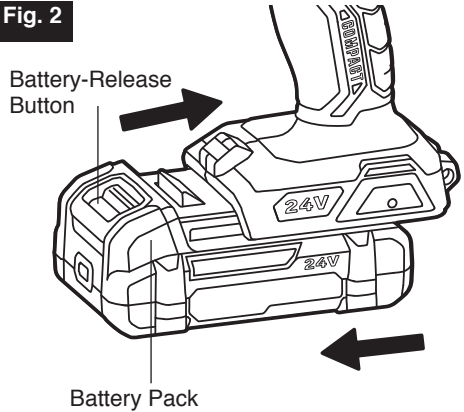
Depress the battery-release button located on the front of the battery pack, to release the battery pack. Pull the battery pack out and remove it from the tool.

⚠ WARNING Battery tools are always in operating condition.

Therefore, the direction-of-rotation (forward/centre-lock/reverse) selector should always be locked in the centre position when the tool is not in use or while carrying the tool at your side.

⚠ WARNING Do not attempt to modify this tool or create accessories not recommended for use with this tool. Any such alteration or modification is misuse and could result in a hazardous condition leading to possible serious injury.

Fig. 2



INSTALL AND REMOVE BITS (FIG. 3, 4, AND 5)

⚠ WARNING Do not use the tool while grasping the chuck to loosen or tighten the chuck jaws on the bit. Friction burn or hand injury is possible if attempting to grasp the spinning chuck.

⚠ WARNING Do not use bits with damaged shanks.

Your tool is equipped with a keyless chuck to tighten or release bits in the chuck jaws. The arrows on the chuck indicate the direction in which to rotate the chuck body in order to tighten (“LOCK”) or release (“UNLOCK”) the chuck jaws on the bit.

To install the bit:

- Lock the variable-speed trigger switch “OFF” on the tool by placing the direction-of-rotation selector in the centre position.
- Remove the battery pack. Rotate the chuck body counterclockwise, as shown in Fig. 3, to open the chuck to approximately the bit diameter.
- Insert a clean bit up to the drill-bit flutes for small bits, or as far as it will go for large bits (Fig. 3).
- Close the chuck by rotating the chuck body clockwise and securely tighten by hand (Fig. 4).

To remove the bit:

- Rotate the chuck body counterclockwise, as shown in Fig. 3, to open the chuck.
- Remove the bit.

⚠ WARNING Make sure to insert the drill bit straight into the chuck jaws. Do not insert the drill bit into the chuck jaws at an angle and then tighten the chuck as shown in Fig. 5. This could cause the drill bit to be thrown from the tool, resulting in possibly serious personal injury or damage to the chuck.

⚠ WARNING Use protective gloves when removing the bit from the tool, or first allow the bit to cool down. The bit may be hot after prolonged use.

Fig. 3

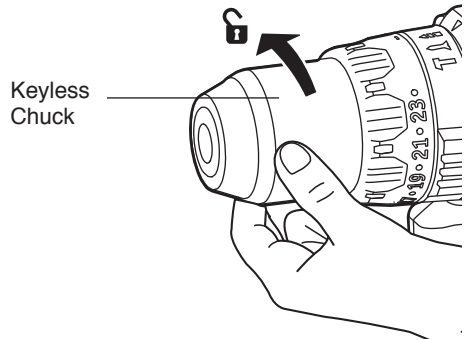


Fig. 4

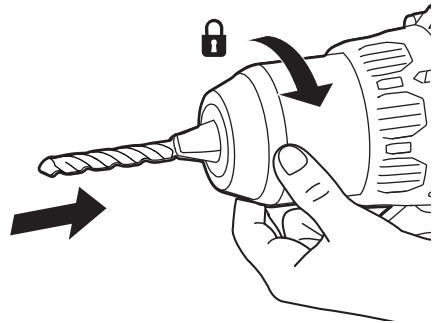
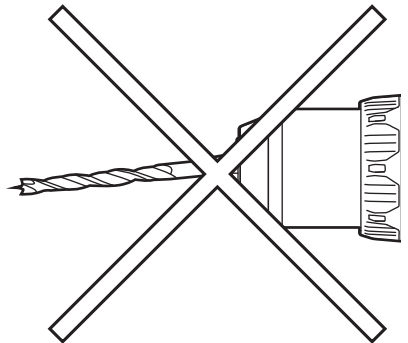


Fig. 5



REMOVABLE BELT CLIP (FIG. 6)

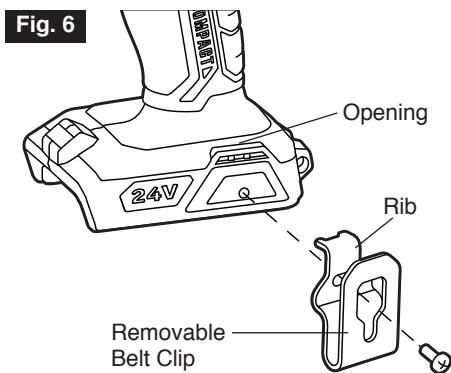
Your tool is equipped with a removable belt clip that can be positioned on the left side of the tool for convenient transport.

To install the belt clip onto the tool:

- Remove the battery pack from the tool.
- Align the rib and the hole of the belt clip with the opening and the threaded hole on the base of the tool, respectively.
- Insert the screw and securely tighten the screw with a screwdriver (not included).

To remove the belt clip from the tool:

- Remove the battery pack from the tool.
- Use a screwdriver to loosen the screw that attaches the belt clip to the tool.
- Remove the screw and the belt clip.



REMOVABLE BIT CLIP (FIG. 7)

Your tool is also equipped with a removable bit clip that can be positioned on the side of the tool for storing bits.

To install the bit clip onto the tool:

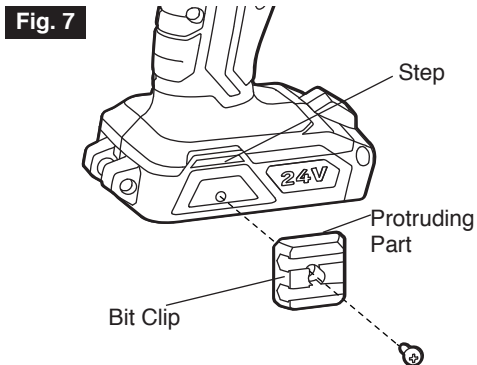
- Remove the battery pack from the tool.
- Align the hole of the bit clip with the threaded hole on the base of the tool.

NOTICE: Ensure that the protruding part on the bit clip is kept flush against the step on the base of the tool to keep it steady.

- Insert the screw and securely tighten the screw with a screwdriver (not included).

To remove the bit clip from the tool:

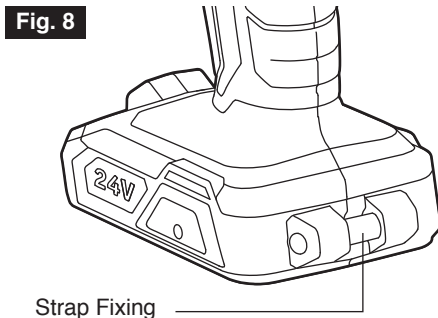
- Remove the battery pack from the tool.



- Use a screwdriver to loosen the screw that attaches the bit clip to the tool.
- Remove the screw and the bit clip.

ATTACHING A STRAP (FIG. 8)

Strap fixing is provided to attach a wrist strap (not included) in order to reduce the chances of dropping your tool. Strap the strip around your hand when carrying the tool.



ADJUSTMENTS

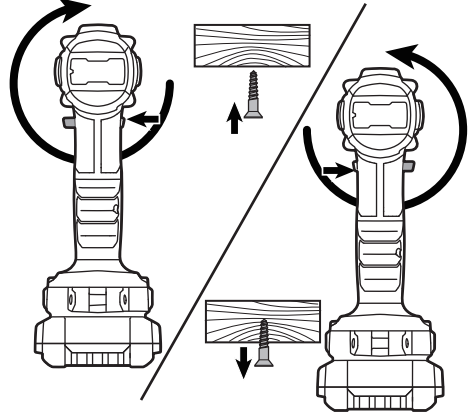
DIRECTION-OF-ROTATION (FORWARD/ CENTRE-LOCK/REVERSE) SELECTOR (FIG. 9)

WARNING After tool use, lock the direction-of-rotation selector in the “OFF” position (centre-lock) to help prevent accidental starts and possible injury.

Your tool is equipped with a direction-of-rotation selector, located above the variable-speed trigger switch. This selector is used to change the direction of rotation of the bit and to lock the variable-speed trigger in the “OFF” (centre-lock) position.

- Position the direction-of-rotation selector to the far left of the tool to drive screws in or drill holes (Fig. 9).
- Position the direction-of-rotation selector to the far right of the tool to remove screws (Fig. 9).
- Position the switch in the “OFF” (centre-lock) position to help reduce the possibility of accidental starting when not in use.

Fig. 9



NOTICE: To prevent gear damage, always allow the tool to come to a complete stop before changing the direction of rotation.

NOTICE: The tool will not run unless the direction-of-rotation selector is engaged fully to the left or to the right.

TWO-SPEED GEAR SHIFTER (FIG. 10)

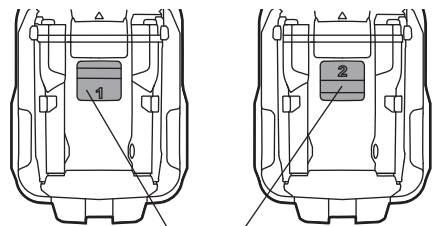
Your tool is equipped with a two-speed gearbox designed for operating at two different gears.

The shifter is located on the top of the tool and allows to switch between gears “1” and “2”.

- Gear “1” provides higher torque and slower speeds for heavy-duty work or for driving screws, drilling large diameter holes, or tapping threads. Use the mode “1” for starting holes without a centre punch, drilling metals or plastic, drilling ceramics, or in applications requiring a higher torque.
- Gear “2” provides lower torque and faster speeds for hammer drilling or lighter drilling work. The gear “2” speed is more suitable for drilling wood and wood composites and for using abrasive and polishing accessories.

NOTICE: To prevent gear damage, always allow the tool to come to a complete stop before changing gears.

Fig. 10



Two-Speed Gear Shifter


FUNCTION-SELECTION RING AND TORQUE-ADJUSTMENT RING (FIG. 11)


⚠ WARNING Do not adjust the torque or function-selection ring when the tool is running.

Your tool is equipped with a function-selection ring and torque adjustment ring for various applications. Move the ring depending on the requirements of your task.

The proper setting depends on the job and the type of bit, fastener, and the material you will be working on. In general, use greater torque for larger screws. If the torque is too high, the screws may be damaged or broken.

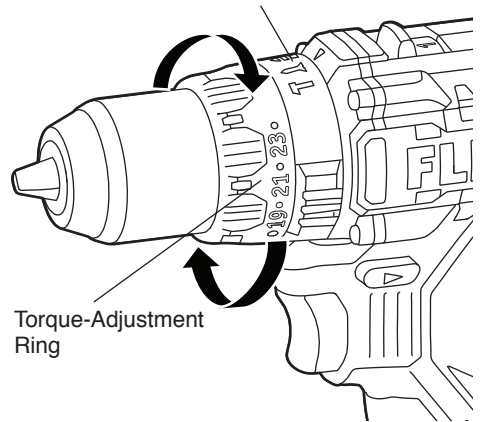
Your hammer drill features 24 torque settings, 1 drilling setting, and 1 hammer drilling setting. Output torque will increase as the ring is rotated from 1 to 24.

The Drill setting  will lock the clutch to permit (non-hammer) drilling and other heavy-duty applications.

The Hammer Drilling setting  will lock the clutch to permit hammer drilling only.

NOTICE: Do not use the hammer drilling setting for drilling in wood, metal, ceramic, and plastic to prevent the drill/screw bit from being damaged.

Fig. 11 Function-Selection Ring



LED LIGHT (FIG. 12)

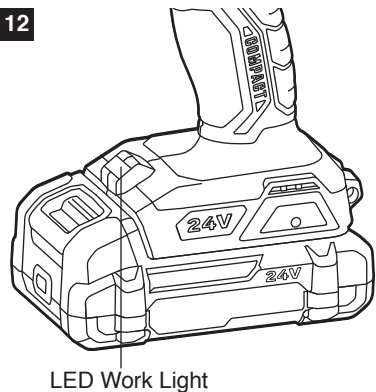
Your tool is equipped with an LED light, located on the base of the tool. This provides additional light on the surface of the work piece for operation in lower-light areas.

The LED light will automatically turn on with a slight squeeze on the variable-speed trigger switch before the tool starts running, and will turn off approximately 10 seconds after the variable-speed trigger switch is released.

The LED light will rapidly flash when the tool and/or battery pack becomes overloaded or too hot, and the internal sensors will turn the tool off. Rest the tool for a while or place the tool and battery pack separately under air flow to cool them.

The LED light will flash more slowly to indicate that the battery is at low-battery capacity. Recharge the battery pack.

Fig. 12



OPERATION INSTRUCTIONS

⚠ WARNING To reduce the risk of fire, personal injury, and product damage due to a short circuit, never immerse your tool, battery pack or charger in fluid or allow a fluid to flow inside them. Corrosive or conductive fluids, such as seawater, certain industrial chemicals, and bleach or bleach-containing products, etc. can cause a short circuit.

⚠ WARNING If any parts are damaged or missing, do not operate this product until the parts are replaced. Use of this product with damaged or missing parts

could result in serious personal injury.

⚠ WARNING To prevent accidental starting that could cause serious personal injury, always remove the battery pack from the tool when assembling parts.

This brushless Hammer Drill must be used only with the FLEX 24V series battery packs and chargers.

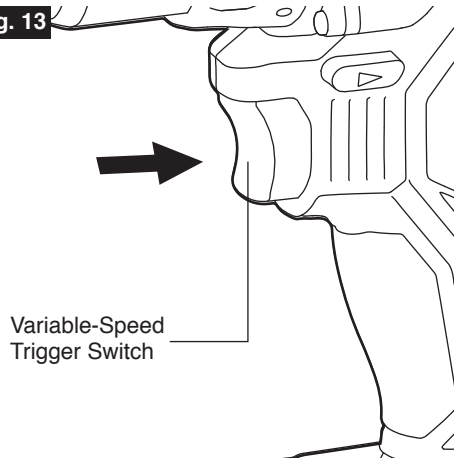
NOTICE: Please refer to the battery pack and charger manuals for detailed operating information.

VARIABLE-SPEED TRIGGER SWITCH (FIG. 13)

Your tool is equipped with a variable-speed trigger switch. The tool can be turned “ON” or “OFF” by depressing or releasing the variable-speed trigger switch.

The variable-speed trigger switch delivers higher speed with increased trigger pressure and lower speed with decreased trigger pressure.

Fig. 13

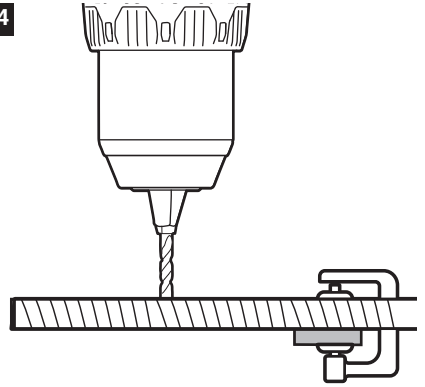


DRILLING (FIG. 14)

⚠ WARNING Always wear safety goggles or safety glasses with side shields during power tool operation or when blowing dust. If operation is dusty, also wear a dust mask.

- Check that the direction-of-rotation selector is at the correct setting (forward or reverse).
- Secure the material to be drilled in a vise or with clamps to keep it from turning as the drill bit rotates.
- Hold the drill firmly and place the bit at the point to be drilled.
- Depress the variable-speed trigger switch to start the drill.
- Move the drill bit into the workpiece, applying only enough pressure to keep the bit “biting”. Do not force the drill or apply side pressure to elongate a hole. Let the tool do the work.
- When drilling hard, smooth surfaces, use a centre punch to mark the desired location of the hole. This will prevent the drill bit from slipping off-centre as the hole is started.
- When drilling metals, use light oil on the drill bit to keep it from overheating. The oil will prolong the life of the bit and increase the drilling efficiency.

Fig. 14



- If the bit jams in the workpiece or if the drill stalls, stop the tool immediately. Remove the bit from the workpiece and determine the reason for jamming.

There are two rules for drilling hard materials. First, the harder the material, the greater the pressure you need to apply to the tool. Second, the harder the material, the slower the speed should be. If the hole to be drilled is large, drill a smaller hole first, and then enlarge to the required size with a larger bit; it's often faster in the long run.

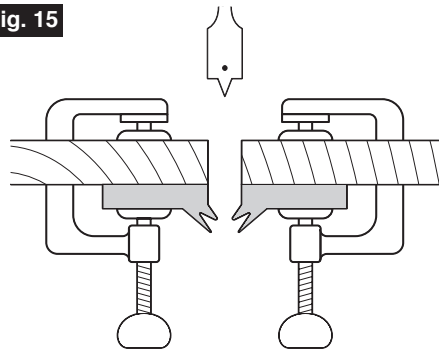
DRILLING WOOD (FIG. 15)

For maximum performance, use high-speed steel or brad-point bits for wood drilling.

- Begin drilling at a very low speed to prevent the bit from slipping off the starting point.
- Increase speed as the drill bit bites into the material.
- When drilling “through” holes, secure a block of wood behind the workpiece to prevent ragged or splintered edges on the back side of the workpiece.

NOTICE: Bits may overheat unless reversed and pulled out frequently to clear chips from flutes.

Fig. 15



DRILLING METAL

For maximum performance, use high-speed steel bits for metal or steel drilling.

- When drilling metals, use light oil on the drill bit to keep it from overheating. The oil will prolong the life of the bit and increase the drilling efficiency.
- Begin drilling at a very low speed to prevent the bit from slipping off the starting point.

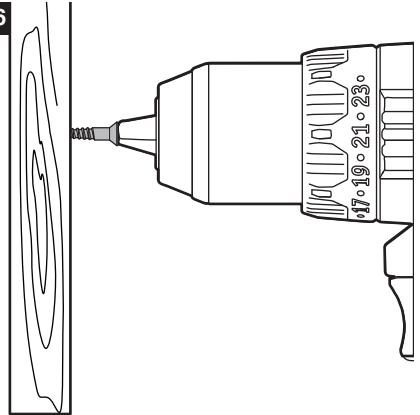
- Maintain a speed and a pressure that allow cutting without overheating the bit. Applying too much pressure will:
 - Overheat the Drill.
 - Wear the bearings.
 - Bend or burn bits.
 - Produce off-centre or irregularly shaped holes.

DRIVING SCREWS (FIG. 16)

Try to use standard-type screws for easy driving and improved grip.

- Install the correct driver bit.
- Ensure that the torque-adjustment ring is set to the most suitable setting. If in doubt, start with a low setting and gradually increase the setting as necessary. Do not change the torque setting when the tool is running.
- Use the correct gear ("1" or "2") for the job and initially apply minimal pressure to the variable speed trigger switch. Increase the speed only when full control can be maintained.
- It is advisable to drill a pilot hole first. This hole should be slightly longer than the screw to be driven and just smaller than the shank diameter of the screw. The pilot hole will act as a guide for the screw and will also make tightening the screw less difficult. When screws are positioned close to an edge of the material, a pilot hole will also help to prevent splitting of the wood.
- Use a countersinking bit (sold separately) to accommodate the screw head so that it does not protrude from the surface.
- Keep sufficient pressure on the drill to prevent the bit turning out of the screw head. The screw head can easily become damaged, making it difficult to drive home or remove.
- To stop the drill, release the trigger switch and allow the tool to come to a complete stop.

Fig. 16



DRILLING MASONRY (FIG. 17)

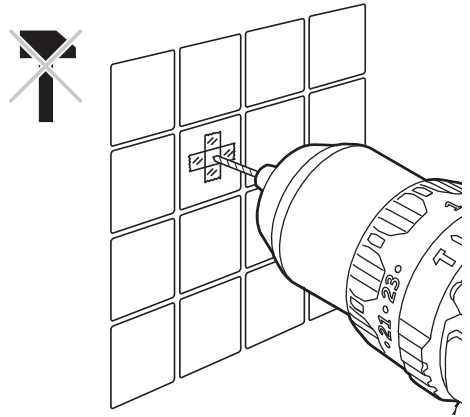
For maximum performance, use carbide-tipped masonry bits when drilling holes in brick, tile, concrete, etc.

- Maintain a speed and a pressure that allow cutting without overheating the bit or drill.

Applying too much pressure will:

- Overheat the drill.
- Wear the bearings.
- Bend or burn bits.
- Produce off-centre or irregular-shaped holes.
- Apply light pressure and medium speed for best results in brick.
- Apply additional pressure for hard materials such as concrete.
- When drilling holes in tile, practice on a scrap piece to determine the best speed and pressure. To prevent the drill bit from skidding/sliding, first apply two pieces of masking tape to create an "X" shape over the intended drilling spot (Fig. 17).
- Begin drilling at a very low speed to prevent the bit from slipping off the starting point.

Fig. 17



MAINTENANCE

⚠ WARNING To avoid serious personal injury, always remove the battery pack from the tool when cleaning or performing any maintenance.

SERVICE

⚠ WARNING Preventive maintenance performed by unauthorized personnel may result in misplacing of internal wires and components which could cause a serious hazard. We recommend that all tool service be performed by a FLEX Factory Service Centre or Authorized FLEX Service Station.

GENERAL MAINTENANCE

⚠ WARNING When servicing, use only identical replacement parts. Use of any other parts could create a hazard or cause product damage. Periodically inspect the entire product for damaged, missing, or loose parts such as screws, nuts, bolts, caps, etc. Tighten securely all fasteners and caps and do not operate this product until all missing or damaged parts are replaced. Please contact customer service or an authorized service centre for assistance.

CLEANING

The tool may be cleaned most effectively with compressed dry air. Always wear safety goggles when cleaning tools with compressed air. Ventilation openings and switch levers must be kept clean and free of foreign matter. Do not attempt to clean by inserting pointed objects through openings.

⚠ WARNING Certain cleaning agents and solvents damage plastic parts. Some of these are: gasoline, carbon tetrachloride, chlorinated cleaning solvents, ammonia and household detergents that contain ammonia.

STORAGE

Store the tool indoors in a place that is inaccessible to children. Keep away from corrosive agents.

ACCESSORIES

⚠ WARNING The use of any other accessories not specified in this manual may create a hazard.

Bit Holder

Belt Clip

WARRANTY STATEMENT

Chervon Australia Pty Ltd (ABN 36 165 077 501) of Unit 14,5 Kelletts Road, Rowville, Victoria, 3178, and Chervon New Zealand Subsidiary Ltd (NZBN 9429049277616) (**Chervon**) provides the following warranty (**Warranty**) to original domestic purchasers in Australia and New Zealand as applicable (**Customers**) of its FLEX24V Tools, FLEX24V Batteries and Chargers and FLEX STACK PACK Storage System (collectively **Products**).

The benefits of this Warranty are in addition to any rights and remedies imposed by Australian State and Federal or New Zealand legislation that cannot be excluded. Nothing in this Warranty is to be interpreted as excluding, restricting or modifying any legislation relevant to the supply of goods and services in Australia or New Zealand, as applicable, which cannot be excluded, restricted or modified. In Australia, if the claimant is a “consumer” under the Australian Consumer Law, Chervon confirms the following:

Our goods come with guarantees that cannot be excluded under the Australian Consumer Law. You are entitled to a replacement or refund for a major failure and compensation for any other reasonably foreseeable loss or damage. You are also entitled to have the goods repaired or replaced if the goods fail to be of acceptable quality and the failure does not amount to a major failure.

WARRANTY

Chervon warrants that, subject to the terms of this Warranty and the exclusions and limitations contained herein, the Products will be free from defects in materials and workmanship for the following period, as applicable, calculated from the date of purchase of the Product (**Warranty Period**):

- If the Customer registers its purchase of the Product online at www.flex-tools.com.au or by calling 1300 000 346 in Australia or www.flex-tools.co.nz or by calling 0508 000 346 in New Zealand within 30 days of the date of its purchase (**Registration**), the Warranty Period for the following Products is as follows:
 - FLEX 24V Tools: 5 years;
 - FLEX 24V Batteries and Chargers: 5 years;
 - FLEX Stack Pack™ Storage System: 1 year;
 - FLEX Accessories & Consumables: 90Days
- If the Customer fails to complete Registration as outlined above, the Warranty Period for the following Products is as follows:
 - FLEX 24V Tools: 3 years;
 - FLEX 24V Batteries and Chargers: 3 years;
 - FLEX Stack Pack™ Storage System: 1 year;
 - FLEX Accessories & Consumables: 90 Days

For further clarification and avoidance of doubt please refer to the FLEX product warranty table included below.

If, before the end of the Warranty Period, a defect appears in the manufacture or assembly of a Product, and Chervon finds the Product to be defective in materials or workmanship, it will, in its sole discretion, either:

- replace or repair the Product or the defective part of the Product free of charge; or
- cause the Product or the defective part of the Product to be replaced or repaired free of charge.

Chervon reserves the right to replace a defective Product or part of a Product with parts and components of similar quality, grade and composition where an identical part or component is not available. Where the product is repaired, Chervon may use refurbished parts.

WARRANTY CLAIMS

1. If a defect covered by Warranty appears, you must first contact Chervon:
 - a) by telephone on 1300 000 346 (AU); or 0508 000 346 (NZ); or
 - b) by email at support@flex-tools.com.au
2. Any Warranty claim must be accompanied by:
 - a) proof of purchase;
 - b) full details of the alleged defect;
 - c) photo evidence of the alleged defect; and
 - d) any other relevant documents.
3. You must allow Chervon or its authorised agent to inspect and test the Product. If that inspection and test finds no defect in the Product, you must pay Chervon's usual service and testing costs.
4. Unless otherwise agreed in writing by Chervon, you must pay the cost of transporting the Product to and from Chervon or Chervon's authorised agent and any related insurance cost. Any handling and transportation costs (and other expenses incurred in claiming this warranty) are not covered by this warranty and will not be borne by Chervon.
5. The replacement product or part, or repaired product will be made available for your collection at an address nominated by Chervon.
6. Customers are responsible for the care and cleaning of their product prior to sending it to back to Chervon or its nominated authorised repair agents. Any product being sent for repair must be cleaned. It is an Occupational/Work Health and Safety risk for our staff or authorised repairers to inspect, repair or service a product that has come into contact with a hazardous substance.
7. If Chervon or its authorised repair agent is to inspect, repair or service a product that has come into contact with a hazardous substance such as asbestos, silica dust or other hazardous substance then we may not be able to inspect, service or repair the product. If this is the case, Chervon reserves the right to refuse repair under these circumstances and will inform the customer and the product will be returned at the customer's expense.

EXCLUSIONS

The Warranty does not apply if:

- a) the Product is not supplied in its final shape and form by Chervon or an authorised FLEX Dealer, which can be confirmed on the website store locator (for avoidance of doubt, third party online stores such as eBay, Gumtree, Amazon, etc. are excluded);
- b) the Product is altered, modified or repaired by a party other than Chervon or its agent;
- c) the Product is used other than for its designed purpose;
- d) the Product is used for rental purposes;
- e) the Product is used or installed other than in accordance with Chervon's instructions;
- f) the Product has not been maintained or protected in accordance with Chervon's instructions;
- g) the Product has been subject to abnormal conditions;
- h) the product suffers normal deterioration of the exterior finish, including but not limited to scratches, dents, paint chips, or to any corrosion or discolouring by heat, abrasive and chemical cleaners;
- i) the Product is involved in an accident;
- j) Chervon cannot find any defect in the Product after testing, inspection and assessment;
- k) the alleged defect is due to abuse, misuse, neglect (including failure to clean) or accident;
- l) the alleged defect is due to a failure to properly maintain or use the Product;
- m) the alleged defect in the Product is within acceptable industry standards or tolerances; or
- n) the alleged defect is due to a request to customise the Product;

- o) the alleged defect is due to normal wear and tear, misuse or abuse (including overloading of the product beyond capacity and exposure to water or rain);
- p) The alleged defect has been used or caused due to continuous industrial use.

The Warranty does not extend to:

- a) damage or defects caused by normal wear and tear;
- b) the Products being damaged by you or a third party;
- c) accidental or wilful damage, or misuse; or
- d) theft or vandalism.

This Warranty does not extend to other accessories or attachments.

LIMITATIONS

Chervon makes no express warranties or representations other than as set out in this document. Chervon will not be liable to you or any other person in connection with this Warranty for any:

- a) consequential or indirect loss, damage or costs incurred by you or any other person; or
- b) damage to property, loss of turnover, loss of profits, loss of business or loss of good will.

CONTACT

For Warranty Service or to make a claim please contact Chervon on the details below between the hours of Monday to Friday 9:00am to 5:00pm EST/NZST (as applicable)

Chervon Australia Pty Ltd
 Unit 14, 5 Kelletts Rd, Rowville, VIC. 3178.
 Ph Australia; 1300 000 346. Email: support@flex-tools.com.au

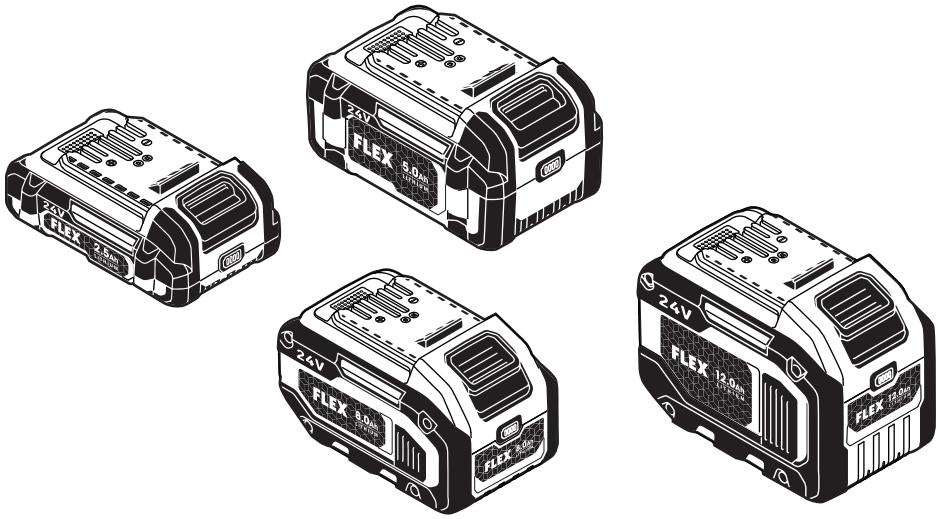
Chervon New Zealand Subsidiary Ltd
 4th Floor, Smith & Caughey Building, 253 Queen St, Auckland, 1141.
 Ph New Zealand; 0508 000 346. Email: support@flex-tools.com.au

	NON REGISTER	REGISTRATION WITHIN 30 DAYS OF PURCHASE
PRODUCT OR MODEL #	LIMITED STANDARD WARRANTY PERIOD	LIMITED WARRANTY PERIOD WITH REGISTRATION WITHIN 30 DAYS FROM DATE OF PURCHASE*
FLEX 24V Lithium-ion power tools	3 Years	5 Years
FLEX 24V Lithium-ion Batteries and Chargers	3 Years	5 Years
FLEX Accessories & Consumables	90 Days	90 Days
FLEX STACK PACK™ Storage system	1 Year	1 Year

*Original purchaser must register the product(s) within 30 days of purchase and retain their receipt as proof of purchase. This warranty applies only to the original purchaser from an authorised FLEX dealer and may not be transferred. If original purchaser does not register their product within 30 days, the warranty will apply for the duration set out in table above in column 'LIMITED STANDARD WARRANTY PERIOD'. For avoidance of doubt please refer to warranty table above and full warranty details in this manual or on our website at www.flex-tools.com.au

FLEX

OPERATOR'S MANUAL



**Model: FXA0111/FXA0121/
FXA0221/FXA0231**

24V 2.5AH/5.0AH/8.0AH/12.0AH LITHIUM BATTERY

⚠ WARNING: To reduce the risk of injury, the user must read and understand the Owner's Manual before using this product. Save these instructions for future reference.



Please contact FLEX customer service in Australia 1300 000 346 or
New Zealand 0508 000 346 any time you have questions or warranty claims.

SAFETY SYMBOLS

The purpose of safety symbols is to attract your attention to possible dangers. The safety symbols and the explanations with them deserve your careful attention and understanding. The symbol warnings do not, by themselves, eliminate any danger. The instructions and warnings they give are no substitutes for proper accident prevention measures.

⚠ WARNING Be sure to read and understand all safety instructions in this Owner's Manual, including all safety alert symbols such as “**DANGER**,” “**WARNING**,” and “**CAUTION**” before using this tool. Failure to follow all instructions listed below may result in electric shock, fire, and/or serious personal injury.

The definitions below describe the level of severity for each signal word. Please read the manual and pay attention to these symbols.



This is the safety alert symbol. It is used to alert you to potential personal injury hazards. Obey all safety messages that follow this symbol to avoid possible injury or death.



DANGER indicates a hazardous situation which, if not avoided, will result in death or serious injury.



WARNING indicates a hazardous situation which, if not avoided, could result in death or serious injury.



CAUTION, used with the safety alert symbol, indicates a hazardous situation which, if not avoided, will result in minor or moderate injury.

IMPORTANT SAFETY INSTRUCTIONS

⚠ WARNING Read all safety warnings, instructions, illustrations and specifications. Failure to follow all instructions listed below may result in electric shock, fire and/or serious injury.

Work area safety

Keep work area clean and well lit. Cluttered or dark areas invite accidents.

Do not operate power tools in explosive atmospheres, such as in the presence of flammable liquids, gases or dust. Power tools create sparks which may ignite the dust or fumes.

Electrical safety

Do not expose power tools to rain or wet conditions. Water entering a power tool will increase the risk of electric shock.

Battery tool use and care

Recharge only with the charger specified by the manufacturer. A charger that is suitable for one type of battery pack may create a risk of fire when used with another battery pack.

Use power tools only with specifically designated battery packs. Use of any other battery packs may create a risk of injury and fire.

When battery pack is not in use, keep it away from other metal objects, like paper clips, coins, keys, nails, screws or other small metal objects, that can make a connection from one terminal to another. Shorting the battery terminals together may cause burns or a fire.

Under abusive conditions, liquid may be ejected from the battery; avoid contact. If contact accidentally occurs, flush with water. If liquid contacts eyes, additionally seek medical help. Liquid ejected from the battery may cause irritation or burns.

Do not use a battery pack or tool that is damaged or modified. Damaged or modified batteries may exhibit unpredictable behavior resulting in fire, explosion or risk of injury.

Do not expose a battery pack or tool to fire or excessive temperature. Exposure to fire or temperature above 130°C may cause explosion.

Follow all charging instructions and do not charge the battery pack or tool outside the temperature range specified in the instructions. Charging improperly or at temperatures outside the specified range may damage the battery and increase the risk of fire.

Service

Have your power tool serviced by a qualified repair person using only identical replacement parts. This will ensure that the safety of the power tool is maintained.

Never service damaged battery packs. Service of battery packs should only be performed by the manufacturer or authorized service providers.

SPECIFIC SAFETY RULES

Before using battery, read all instructions and cautionary markings on (1) battery charger, (2) battery pack, and (3) product using battery.

Risk of fire and burns. Do not recharge, disassemble, heat above 130 °C, or incinerate. Keep battery out of reach of children and in original package until ready to use.

Battery tools do not have to be plugged into an electrical outlet; therefore, they are always in operating condition. Be aware of possible hazards when not using your battery tool or when changing accessories.

Do not place battery tools or their batteries near fire or heat. Charge battery pack within the required temperature range.

Store charger and battery pack in locations where temperature is within the recommended storage temperature range. This is important to prevent serious damage to the battery cells.

Do not crush, drop or damage the battery pack. Do not use a battery pack or charger that has been dropped or received a sharp blow. A damaged battery is subject to explosion. Properly dispose of a dropped or damaged battery immediately.

Do not insert battery pack in charger if battery pack case is cracked. Using damaged battery pack may result in electric shock or fire.

Batteries vent hydrogen gas and can explode in the presence of a source of ignition such as a pilot light. To reduce the risk of serious personal injury, never use any cordless product in the presence of open flame. An exploded battery can propel debris and chemicals. If exposed, flush with water immediately.

Do not recharge battery in damp or wet environment. Do not expose charger to rain or snow. Water entering battery charger may result in electric shock or fire.

Do not store outside or in vehicles.

Do not store battery pack in charger. Battery pack stored in charger over a long period of time could lead to battery pack damage and fire.

Battery leakage may occur under extreme usage or temperature conditions. Avoid contact with skin and eyes. The battery liquid is caustic and could cause chemical burns to tissues. If liquid comes in contact with skin, wash quickly with soap and water. If the liquid contacts your eyes, flush them with water for a minimum of 10 minutes and seek medical attention.

Do not let gasoline, oils, petroleum-based products, etc. come in contact with plastic parts. They contain chemicals that can damage, weaken or destroy plastic.






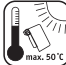

Do not touch the uninsulated portion of output connector or uninsulated battery terminal. There is a risk of electric shock.

Replace battery pack if a substantial drop in operating time per charge is observed. Battery pack may be nearing the end of its life.

SAVE ALL WARNINGS AND INSTRUCTIONS FOR FUTURE REFERENCE.

SYMBOLS

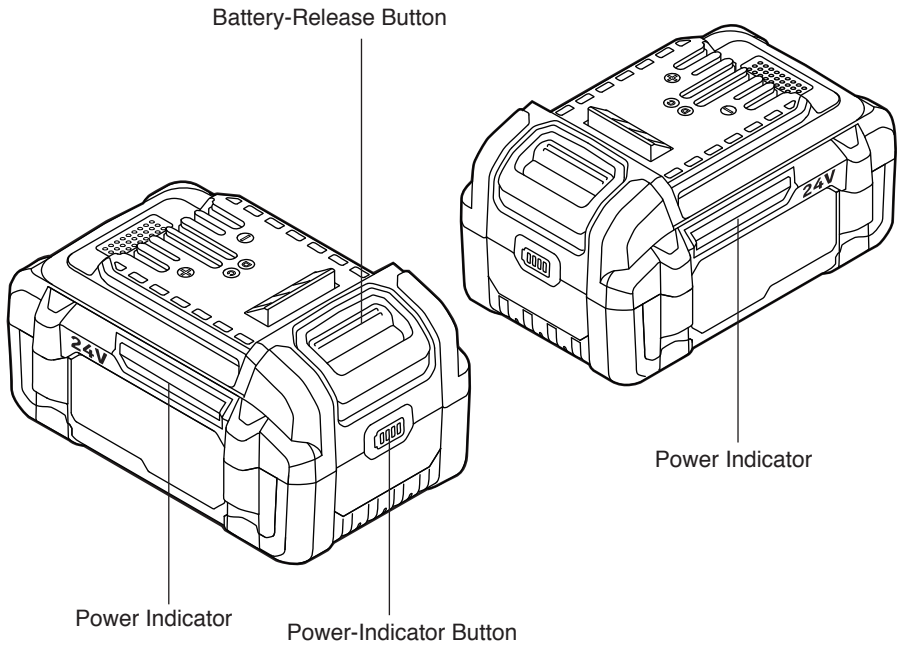
IMPORTANT: Some of the following symbols may be used on your tool. Please study them and learn their meaning. Proper interpretation of these symbols will allow you to operate the tool better and safer.

Symbol	Name	Designation/Explanation
V	Volts	Voltage
A	Amperes	Current
Hz	Hertz	Frequency (cycles per second)
W	Watt	Power
kg	Kilograms	Weight
min	Minutes	Time
s	Seconds	Time
Wh	Watt-hours	Battery capacity
Ah	Ampere-hours	Battery capacity
O	Off position	Zero speed, zero torque...
1,2,3,... I,II,III,	Selector settings	Speed, torque, or position settings. Higher number means greater speed
~	Alternating current (AC)	Type or a characteristic of current
— — —	Direct current (DC)	Type or a characteristic of current
~ — — —	Alternating or direct current (AC / DC)	Type or a characteristic of current
	Class II tool	Designates Double Insulated Construction tools.
	Disposal information for the old machine	Do not throw electric power tools into the household waste!
	Read the instructions	Alerts user to read manual
	Wear eye protection symbol	Alerts user to wear eye protection
	Do not expose battery pack / battery cells to fire	Against continuous intense sunlight, fire, water, and moisture. Danger of explosion
	Do not expose battery packs / battery cells to heat in excess of 50°C	
	It must be recycled in conformity with environmental regulations	

FUNCTIONAL DESCRIPTIONS AND SPECIFICATIONS

Battery

Fig. 1



Model No.	FXA0111	FXA0121	FXA0221	FXA0231
Battery Capacity	2.5Ah	5.0Ah	8.0Ah	12.0Ah
Battery Voltage	24V d.c			
Battery Type	Lithium-Ion			
Charger Compatibility	FXA0421, FXA0431			
Recommended Charging Temperature	5 - 40 °C			
Recommended Storage Temperature	< 50 °C			

Note: Use of chargers or battery packs not sold by FLEX will void the warranty.

OPERATING INSTRUCTIONS

⚠ WARNING To reduce the risk of fire, personal injury, and product damage due to a short circuit, never immerse your charger or battery pack in fluid or allow a fluid to flow inside them. Corrosive or conductive fluids, such as seawater, certain industrial chemicals, and bleach or bleach-containing products, etc. can cause a short circuit.

⚠ WARNING Do not attempt to modify the battery pack or create accessories not recommended for use with this battery pack. Any such alteration or modification is misuse and could result in a hazardous condition leading to possibly serious personal injury.

POWER INDICATOR

This lithium-ion battery pack is equipped with power indicators on both sides of the battery pack that display the battery charge level. Press the power-indicator button on the front of battery pack to display the four LEDs in the power indicator. The LEDs will remain lit for

approximately 10 seconds. It is recommended that the battery pack be recharged to full charge before starting a big job or using it for long periods of time.

The power indicator can be used regardless whether the battery is attached or removed from tool.

LOW CAPACITY WARNING

If one LED on the power indicator begins to flash, the battery pack charge is under 10% capacity and should be recharged. Unlike other types of battery packs, lithium-ion battery packs deliver fade-free power for their entire run time. The tool will not experience a slow, gradual loss of power as it is used. The power delivered to

the tool will drop quickly when the battery pack is at the end of its run time and needs to be charged. When the battery pack is completely discharged or over-voltage, the power indicator will begin to display four flashing LEDs. When this happens, remove the tool from the workpiece and charge the battery pack as needed.

OVER-TEMPERATURE WARNING

The battery circuitry also protects the battery pack from overheating. To protect the battery pack from damage and prolong its life, the battery pack circuitry will send a warning signal to the tool if the temperature becomes too high during use. The first and third LEDs on the power indicator will rapidly flash green to warn

of the over-temperature condition. This may happen in extremely high torque, binding, and stalling situations. The battery pack will begin normal operation after it has cooled down.

NOTICE: A significantly reduced run time after fully charging the battery pack indicates that the batteries are near the end of their usable life and must be replaced.

COLD WEATHER OPERATION

When the battery pack is very cold, the performance may be weakened. Put the battery pack on a tool and use the tool in a

light application for a while to “warm up” the battery pack or place the battery pack in room temperature until it has warmed. The battery pack will operate normally.

TO CHARGE THE BATTERY PACK (FIG. 2)

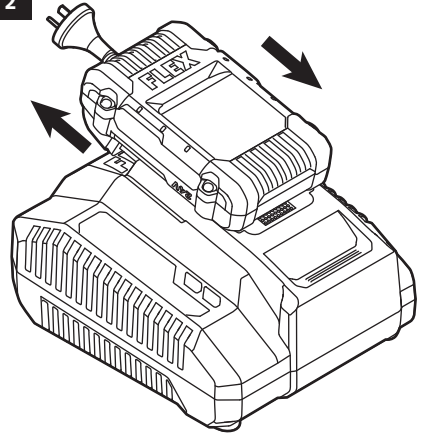
NOTICE: This lithium-ion battery pack is shipped partially charged. Before using it for the first time, fully charge the battery pack.

- a. Always charge the battery pack with the correct charger.
- b. Connect the charger to a power supply.
- c. Attach the battery pack to the charger by aligning the raised ribs of the battery pack with the slot in the charger. Slide the battery pack onto the charger.
- d. When the charger indicates that the battery pack is fully charged, remove it from the charger.

Please refer to the charger manual for detailed charging instructions.

NOTICE: If the battery pack cannot accept a charge, the contacts of the charger or battery pack may be contaminated. Clean the contacts of the charger or battery pack (e.g., by inserting and removing the battery several times or scrubbing with a cotton swab and alcohol), or replace the battery pack, as required.

Fig. 2



MAINTENANCE

SERVICE

⚠ WARNING Preventive maintenance performed by unauthorized personnel may result in misplacing of internal wires and components which could cause serious hazard. We recommend that all tool service be performed by a FLEX Factory Service Center or Authorized FLEX Service Station.

GENERAL MAINTENANCE

⚠ WARNING When servicing, use only identical replacement parts. Use of any other parts could create a hazard or cause product damage.

Periodically inspect the entire product for damaged, missing, or loose parts such as screws, nuts, bolts, caps, etc. Tighten securely all fasteners and caps and do not operate this product until all missing or damaged parts are replaced. Please contact customer service or an authorized service center for assistance.

⚠ WARNING To avoid serious personal injury, always remove the battery pack from the charger/tool when cleaning or performing any maintenance.

CLEANING

⚠ WARNING The tool may be cleaned most effectively with compressed dry air. **Always wear safety goggles when cleaning tools with compressed air.** Do not attempt to clean by inserting pointed objects through openings.

⚠ WARNING Certain cleaning agents and solvents damage plastic parts. Some of these are: gasoline, carbon tetrachloride, chlorinated cleaning solvents, ammonia and household detergents that contain ammonia.

STORAGE

Store the tool indoors in a place that is inaccessible to children. Keep away from corrosive agents.

BATTERY CARE

⚠ WARNING When batteries are not in tool or charger, keep them away from metal objects. For example, to protect terminals from shorting DO NOT place

batteries in a tool box or pocket with nails, screws, keys, etc. Fire or injury may result.

DO NOT PUT BATTERIES INTO FIRE OR EXPOSE TO HIGH HEAT. They may explode.

BATTERY DISPOSAL

⚠ WARNING Do not attempt to disassemble the battery or remove any component projecting from the battery terminals. Fire or injury may result. Prior to disposal, protect exposed terminals with heavy insulating tape to prevent shorting.

Lithium-Ion Batteries: If equipped with a lithium-ion battery, the battery must be collected, recycled or disposed of in an environmentally sound manner.

WARRANTY STATEMENT

Chervon Australia Pty Ltd (ABN 36 165 077 501) of Unit 14,5 Kelletts Road, Rowville, Victoria, 3178, and Chervon New Zealand Subsidiary Ltd (NZBN 9429049277616) (**Chervon**) provides the following warranty (**Warranty**) to original domestic purchasers in Australia and New Zealand as applicable (**Customers**) of its FLEX24V Tools, FLEX24V Batteries and Chargers and FLEX STACK PACK Storage System (collectively **Products**).

The benefits of this Warranty are in addition to any rights and remedies imposed by Australian State and Federal or New Zealand legislation that cannot be excluded. Nothing in this Warranty is to be interpreted as excluding, restricting or modifying any legislation relevant to the supply of goods and services in Australia or New Zealand, as applicable, which cannot be excluded, restricted or modified. In Australia, if the claimant is a “consumer” under the Australian Consumer Law, Chervon confirms the following:

Our goods come with guarantees that cannot be excluded under the Australian Consumer Law. You are entitled to a replacement or refund for a major failure and compensation for any other reasonably foreseeable loss or damage. You are also entitled to have the goods repaired or replaced if the goods fail to be of acceptable quality and the failure does not amount to a major failure.

WARRANTY

Chervon warrants that, subject to the terms of this Warranty and the exclusions and limitations contained herein, the Products will be free from defects in materials and workmanship for the following period, as applicable, calculated from the date of purchase of the Product (**Warranty Period**):

- If the Customer registers its purchase of the Product online at www.flex-tools.com.au or by calling 1300 000 346 in Australia or www.flex-tools.co.nz or by calling 0508 000 346 in New Zealand within 30 days of the date of its purchase (**Registration**), the Warranty Period for the following Products is as follows:
 - FLEX 24V Tools: 5 years;
 - FLEX 24V Batteries and Chargers: 5 years;
 - FLEX Stack Pack™ Storage System: 1 year;
 - FLEX Accessories & Consumables: 90Days
- If the Customer fails to complete Registration as outlined above, the Warranty Period for the following Products is as follows:
 - FLEX 24V Tools: 3 years;
 - FLEX 24V Batteries and Chargers: 3 years;
 - FLEX Stack Pack™ Storage System: 1 year;
 - FLEX Accessories & Consumables: 90 Days

For further clarification and avoidance of doubt please refer to the FLEX product warranty table included below.

If, before the end of the Warranty Period, a defect appears in the manufacture or assembly of a Product, and Chervon finds the Product to be defective in materials or workmanship, it will, in its sole discretion, either:

- replace or repair the Product or the defective part of the Product free of charge; or
- cause the Product or the defective part of the Product to be replaced or repaired free of charge.

Chervon reserves the right to replace a defective Product or part of a Product with parts and components of similar quality, grade and composition where an identical part or component is not available. Where the product is repaired, Chervon may use refurbished parts.

WARRANTY CLAIMS

1. If a defect covered by Warranty appears, you must first contact Chervon:
 - a) by telephone on 1300 000 346 (AU); or 0508 000 346 (NZ); or
 - b) by email at support@flex-tools.com.au.
2. Any Warranty claim must be accompanied by:
 - a) proof of purchase;
 - b) full details of the alleged defect;
 - c) photo evidence of the alleged defect; and
 - d) any other relevant documents.
3. You must allow Chervon or its authorised agent to inspect and test the Product. If that inspection and test finds no defect in the Product, you must pay Chervon's usual service and testing costs.
4. Unless otherwise agreed in writing by Chervon, you must pay the cost of transporting the Product to and from Chervon or Chervon's authorised agent and any related insurance cost. Any handling and transportation costs (and other expenses incurred in claiming this warranty) are not covered by this warranty and will not be borne by Chervon.
5. The replacement product or part, or repaired product will be made available for your collection at an address nominated by Chervon.
6. Customers are responsible for the care and cleaning of their product prior to sending it to back to Chervon or its nominated authorised repair agents. Any product being sent for repair must be cleaned. It is an Occupational/Work Health and Safety risk for our staff or authorised repairers to inspect, repair or service a product that has come into contact with a hazardous substance.
7. If Chervon or its authorised repair agent is to inspect, repair or service a product that has come into contact with a hazardous substance such as asbestos, silica dust or other hazardous substance then we may not be able to inspect, service or repair the product. If this is the case, Chervon reserves the right to refuse repair under these circumstances and will inform the customer and the product will be returned at the customer's expense.

EXCLUSIONS

The Warranty does not apply if:

- a) the Product is not supplied in its final shape and form by Chervon or an authorised FLEX Dealer, which can be confirmed on the website store locator (for avoidance of doubt, third party online stores such as eBay, Gumtree, Amazon, etc. are excluded);
- b) the Product is altered, modified or repaired by a party other than Chervon or its agent;
- c) the Product is used other than for its designed purpose;
- d) the Product is used for rental purposes;
- e) the Product is used or installed other than in accordance with Chervon's instructions;
- f) the Product has not been maintained or protected in accordance with Chervon's instructions;
- g) the Product has been subject to abnormal conditions;
- h) the product suffers normal deterioration of the exterior finish, including but not limited to scratches, dents, paint chips, or to any corrosion or discolouring by heat, abrasive and chemical cleaners;
- i) the Product is involved in an accident;
- j) Chervon cannot find any defect in the Product after testing, inspection and assessment;
- k) the alleged defect is due to abuse, misuse, neglect (including failure to clean) or accident;
- l) the alleged defect is due to a failure to properly maintain or use the Product;
- m) the alleged defect in the Product is within acceptable industry standards or tolerances; or
- n) the alleged defect is due to a request to customise the Product;

- o) the alleged defect is due to normal wear and tear, misuse or abuse (including overloading of the product beyond capacity and exposure to water or rain);
- p) The alleged defect has been used or caused due to continuous industrial use.

The Warranty does not extend to:

- a) damage or defects caused by normal wear and tear;
- b) the Products being damaged by you or a third party;
- c) accidental or wilful damage, or misuse; or
- d) theft or vandalism.

This Warranty does not extend to other accessories or attachments.

LIMITATIONS

Chervon makes no express warranties or representations other than as set out in this document.

Chervon will not be liable to you or any other person in connection with this Warranty for any:

- a) consequential or indirect loss, damage or costs incurred by you or any other person; or
- b) damage to property, loss of turnover, loss of profits, loss of business or loss of good will.

CONTACT

For Warranty Service or to make a claim please contact Chervon on the details below between the hours of Monday to Friday 9:00am to 5:00pm EST/NZST (as applicable)

Chervon Australia Pty Ltd

Unit 14, 5 Kelleets Rd, Rowville, VIC. 3178.

Ph Australia; 1300 000 346. Email: support@flex-tools.com.au

Chervon New Zealand Subsidiary Ltd

4th Floor, Smith & Caughey Building, 253 Queen St, Auckland, 1141.

Ph New Zealand; 0508 000 346. Email: support@flex-tools.com.au

NON REGISTER

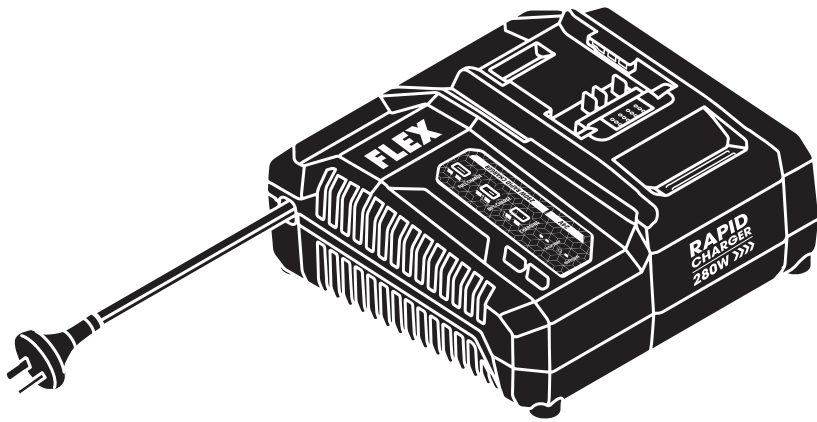
REGISTRATION WITHIN 30 DAYS OF PURCHASE

PRODUCT OR MODEL #	LIMITED STANDARD WARRANTY PERIOD	LIMITED WARRANTY PERIOD WITH REGISTRATION WITHIN 30 DAYS FROM DATE OF PURCHASE*
FLEX 24V Lithium-ion power tools	3 Years	5 Years
FLEX 24V Lithium-ion Batteries and Chargers	3 Years	5 Years
FLEX Accessories & Consumables	90 Days	90 Days
FLEX STACK PACK™ Storage system	1 Year	1 Year

*Original purchaser must register the product(s) within 30 days of purchase and retain their receipt as proof of purchase. This warranty applies only to the original purchaser from an authorised FLEX dealer and may not be transferred. If original purchaser does not register their product within 30 days, the warranty will apply for the duration set out in table above in column 'LIMITED STANDARD WARRANTY PERIOD'. For avoidance of doubt please refer to warranty table above and full warranty details in this manual or on our website at www.flex-tools.com.au

FLEX

OPERATOR'S MANUAL



Model: FXA0421

24V 280W CHARGER


⚠ WARNING: To reduce the risk of injury, the user must read and understand the Owner's Manual before using this product. Save these instructions for future reference.



Please contact FLEX customer service in Australia 1300 000 346 or
New Zealand 0508 000 346 any time you have questions or warranty claims.

SAFETY SYMBOLS

The purpose of safety symbols is to attract your attention to possible dangers. The safety symbols and the explanations with them deserve your careful attention and understanding. The symbol warnings do not, by themselves, eliminate any danger. The instructions and warnings they give are no substitutes for proper accident prevention measures.

 **WARNING** Be sure to read and understand all safety instructions in this Operator's Manual, including all safety alert symbols such as "**DANGER**," "**WARNING**," and "**CAUTION**" before using this tool. Failure to follow all instructions listed below may result in electric shock, fire, and/or serious personal injury.

The definitions below describe the level of severity for each signal word. Please read the manual and pay attention to these symbols.



This is the safety alert symbol. It is used to alert you to potential personal injury hazards. Obey all safety messages that follow this symbol to avoid possible injury or death.



DANGER indicates a hazardous situation which, if not avoided, will result in death or serious injury.



WARNING indicates a hazardous situation which, if not avoided, could result in death or serious injury.



CAUTION, used with the safety alert symbol, indicates a hazardous situation which, if not avoided, will result in minor or moderate injury.

IMPORTANT SAFETY INSTRUCTIONS

SAVE THESE INSTRUCTIONS

This manual contains important safety and operating instructions for battery charger Model FXA0421. Do not substitute any other charger.

Before using battery charger, read all instructions and cautionary markings on (1) battery charger, (2) battery pack, and (3) product using battery.

⚠ CAUTION To reduce risk of injury, charge only Li-Ion type rechargeable batteries. Other types of batteries may burst causing personal injury and damage.

Charge only FLEX rechargeable batteries listed in the manual. Other types of batteries may burst causing personal injury and damage.

Charge battery pack within the required temperature range. Store charger and battery pack in locations where temperature is within the recommended storage temperature range. This is important to prevent serious damage to the battery cells.

Do not recharge battery in damp or wet environment. Do not expose charger to rain or snow. Water entering battery charger may result in electric shock or fire.

Battery leakage may occur under extreme usage or temperature conditions. Avoid contact with skin and eyes. The battery liquid is caustic and could cause chemical burns to tissues. If liquid comes in contact with skin, wash quickly with soap and water. If the liquid contacts your eyes, flush them with water for a minimum of 10 minutes and seek medical attention.

Place charger on flat nonflammable surfaces and away from flammable materials when recharging battery pack. Carpeting and other heat insulating surfaces block proper air circulation which may cause overheating of the charger and battery pack. If smoke or melting of the charger or battery pack is observed, unplug the charger immediately and do not use the battery pack or charger. Contact customer service immediately.

Keep the cord and charger from heat to prevent damage to housing or internal parts. Do not allow gasoline, oils, petroleum-based products, etc. to come in contact with plastic parts. These materials contain chemicals that can damage, weaken, or destroy plastic.

Make sure cord is located so that it will not be stepped on, tripped over, or otherwise subjected to damage or stress. Damaged plug and cord may result in electric shock or fire.

Disconnect the charger by pulling the plug rather than the cord. Do not operate charger with damaged cord or plug; have them replaced immediately. Damaged plug or cord may result in electric shock or fire.

Do not insert battery pack in charger if battery pack case is cracked. Using damaged battery pack may result in electric shock or fire.

Do not disassemble charger or operate the charger if it has received a sharp blow, been dropped or otherwise damaged in anyway. Incorrect reassembly or damage may result in electric shock or fire.

Before each use, check the battery charger, cable and plug. If damage is detected, do not use the battery charger. Never open the battery charger yourself, take it to a FLEX Factory Service Center, or qualified serviceman only using original spare parts. Incorrect reassembly may result in electric shock or fire.

Do not touch the uninsulated portion of output connector or uninsulated battery terminal. There is a risk of electric shock.

Do not use attachment not recommended or sold by FLEX. Using attachments not recommended may result in electric shock or fire.

Do not store battery pack in charger. Battery pack stored in charger over a long period of time could lead to battery pack damage and fire.

Unplug charger from outlet before storage, attempting any maintenance or cleaning. Such preventive safety measures reduce the risk of electric shock or fire.

Keep the battery charger clean by blowing compressed air on charger vents and wiping the charger housing with a damp cloth.

Contamination may result in electric shock or fire.

Replace battery pack if a substantial drop in operating time per charge is observed. Battery pack may be nearing the end of its life.

To reduce the risk of injury, close supervision is necessary when an appliance is used near children.

Do not use outdoors.

The appliance is not to be used by persons (including children) with reduced physical, sensory or mental capabilities, or lack of experience and knowledge, unless they have been given supervision or instruction.










Children being supervised not to play with the appliance.

Cleaning and user maintenance shall not be made by children without supervision.

If the supply cord is damaged, it must be replaced by the manufacturer, its service agent or similarly qualified persons in order to avoid a hazard.

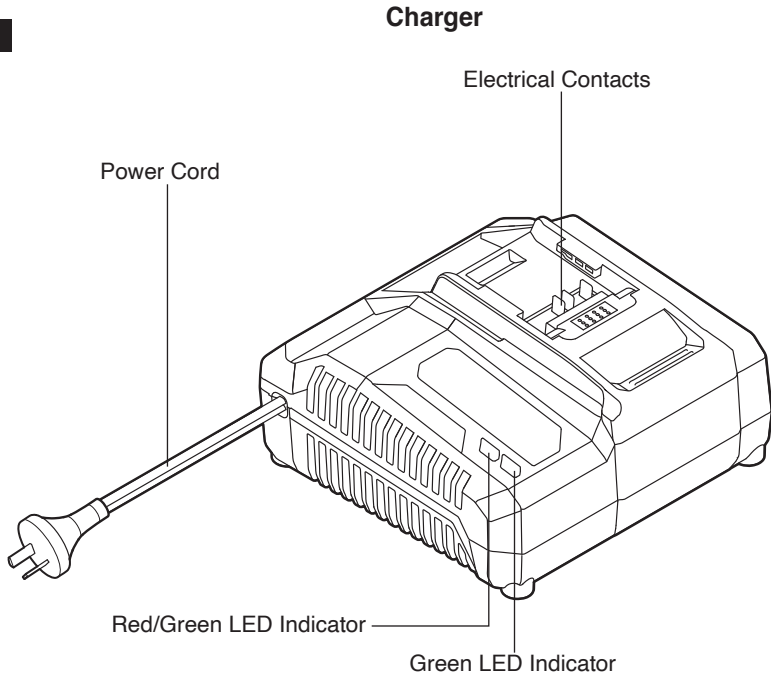
SYMBOLS


IMPORTANT: Some of the following symbols may be used on your tool. Please study them and learn their meaning. Proper interpretation of these symbols will allow you to operate the tool better and safer.

Symbol	Name	Designation/Explanation
V	Volts	Voltage
A	Amperes	Current
Hz	Hertz	Frequency (cycles per second)
W	Watt	Power
kg	Kilograms	Weight
min	Minutes	Time
s	Seconds	Time
Wh	Watt-hours	Battery capacity
Ah	Ampere-hours	Battery capacity
O	Off position	Zero speed, zero torque...
1,2,3,... I,II,III,	Selector settings	Speed, torque, or position settings. Higher number means greater speed
	Alternating current (AC)	Type or a characteristic of current
	Direct current (DC)	Type or a characteristic of current
	Alternating or direct current (AC / DC)	Type or a characteristic of current
	Class II tool	Designates Double Insulated Construction tools.
	Disposal information for the old machine	Do not throw electric power tools into the household waste!
	Read operator's manual	To reduce the risk of injury, user must read operator's manual.
	Indoor use	Use this device indoors only
T 6.3A 	Fuse-links	Time-lag miniature fuse-link
	Regulatory compliance mark	This product complies with applicable Australian standards.

FUNCTIONAL DESCRIPTIONS AND SPECIFICATIONS

Fig. 1



Model No.	FXA0421															
Rated Input	220-240V ~, 50Hz, 280W															
Rated Output	24V  9.4A															
Battery Compatibility	2.0Ah FXA0311		3.5Ah FXA0321		6.0Ah FXA0331		10.0Ah FXA0341		2.5Ah FXA0111		5.0Ah FXA0121		8.0Ah FXA0221		12.0Ah FXA0231	
Approximate Charging Time (minutes)	80%	100%	80%	100%	80%	100%	80%	100%	80%	100%	80%	100%	80%	100%	80%	100%
	16	18	15	20	30	35	50	55	25	30	25	30	40	50	60	75
Recommended Charging Temperature	-7 - 45°C								5 - 40°C							
Recommended Storage Temperature	< 50°C															

NOTE: All charging times are subject to environmental temperature and the battery pack condition.

Intended Use

The battery charger is designed for charging FLEX 24V batteries. The battery voltage must match the battery charging voltage of the charger. Otherwise there is danger of fire and explosion.

IMPORTANT CHARGING NOTES

1. A substantial drop in operating time per charge may mean that the battery pack is nearing the end of its life and should be replaced.
2. Remember to unplug the charger during storage.
3. If battery does not charge properly:
 - a. Check for power at the outlet by plugging another electrical device into the outlet.
 - b. Check to see if outlet is connected to a light switch that turns power “off” when the lights are turned off.
 - c. Check the battery pack terminals for dirt. Clean with a cotton swab and alcohol, if necessary.
 - d. If proper charging still does not occur, take or send the tool, battery pack and charger to your local FLEX Service Center. Please refer to the Customer Service information on the cover of this manual.

NOTE: Use of chargers or battery packs not sold by FLEX will void the tool warranty.

OPERATING INSTRUCTIONS

⚠ WARNING To reduce the risk of fire, personal injury, and product damage due to a short circuit, never immerse your charger or battery pack in fluid or allow a fluid to flow inside them. Corrosive or conductive fluids, such as seawater, certain industrial chemicals, and bleach or bleach-containing products, etc. can cause a short circuit.

⚠ WARNING Do not attempt to modify the charger or create accessories not recommended for use with this charger. Any such alteration or modification is misuse and could result in a hazardous condition leading to possibly serious personal injury.

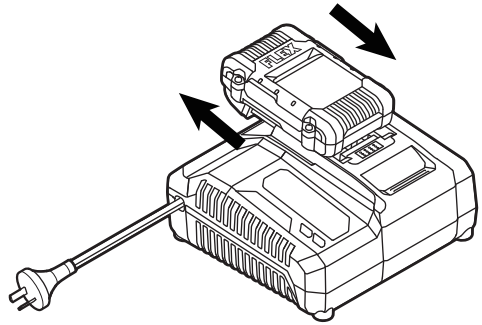
HOW TO CHARGE THE BATTERY PACK (FIG. 2)



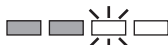

⚠ WARNING Do not use the charger outdoors or expose it to wet or damp conditions. Water entering the charger will increase the risk of electric shock.

NOTICE: Lithium-Ion battery packs are shipped partially charged. Before using it the first time, fully charge the battery pack.

- a. Connect the charger to the power supply (220 - 240V~, 50Hz). When connected to the power supply, the green and red LED indicators on the charger will flash once at the same time and then go out, indicating that the charger self-inspection is completed.
- b. Align the raised ribs of the battery pack with the slots in the charger and slide the battery pack onto the charger
- c. The charger will communicate with the battery pack to evaluate the condition of the battery pack.

Fig. 2



Battery Pack Charge Status	Power Indicator	
<25%		Last segment flashing, the rest are solid
25%-50%		
50%-75%		
≥75%		

d. When the battery pack is charging, the green LED will flash. The power indicator on the battery will flash according to the current capacity level. The fan in the charger continuously works to cool the battery pack.

e. Once the battery is 80% charged, the green LED shows solid green, the red/green LED starts flashing green. When the battery pack is fully charged, the red/green LED will remain green without flashing. The power indicator on the battery pack will go out.

f. The battery pack will fully charge if left on the charger, but it will not overcharge.

NOTICE: A significantly reduced run time after fully charging the battery pack indicates that the battery is near the end of its usable life and must be replaced.

The charger may become warm during charging. This is part of the normal operation of the charger. Charge in a well-ventilated area.

Charger Display

Mode	Green LED on the Charger	Red/Green LED on the Charger	Power Indicator on the Battery Pack	Note
Self-inspection completed	Flashing once	Flashing red once	Off	Red and Green LED flash once at the same time
Self-inspection failed	Off	Off	Off	No reaction when the charger is plugged in
Standby	Off	Off	Off	Plugged in; battery pack is not on the charger
Charging	Flashing	Off	Flashing according to the current capacity level.	Battery is less than 80% charged
	Steady	Flashing green		Battery is 80% charged
Full charge	Steady	Steady	Off	
Cold/Hot battery	Off	Steady	Off	Remove the battery pack from the charger
Error	Off	Flashing red or off	Off	Battery pack or charger error

CHARGING A HOT OR COLD BATTERY PACK

A steady red LED indicates that the battery is over or under the optimal temperature. Remove the battery pack from the charger. If the battery is too hot, cool the battery under air flow. If the battery is too cold, place it indoors until it reaches room temperature.

CHARGER ERROR

If the charger self-inspection fails to react when the charger is plugged in, the causes include no power to the charger, bad contacts, or a charger error. Check to see if the charger self-inspection can be activated when the charger is plugged in again or plugged into a different outlet. If it still fails, have the charger serviced by an Authorized FLEX Service Station.

BATTERY PACK ERROR

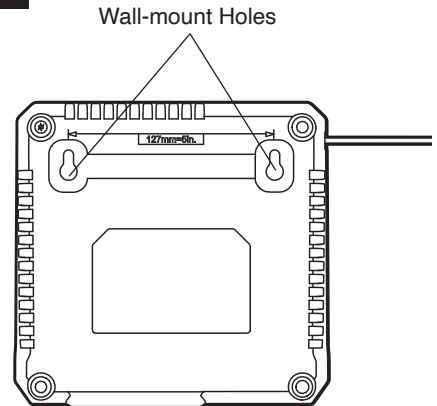
If the charger detects a problem, the red/green LED will begin flashing red. Remove and re-insert the battery pack in the charger. If the red/green LED still flashes red, try charging a different battery pack.

- a) If a different battery pack charges normally, have the first malfunctioning battery pack serviced by an Authorized FLEX Service Station.
- b) If a different battery pack also indicates an error, the charger may be malfunctioning. Have the charger serviced by an Authorized FLEX Service Station.

WALL-MOUNT HOLES (FIG. 3)

The charger has wall-mount holes for convenient storage. Install screws in the wall 127 mm apart. Use screws sufficiently strong to hold the combined weight of the charger and battery pack.

Fig. 3



MAINTENANCE

SERVICE

⚠ WARNING Preventive maintenance performed by unauthorized personnel may result in misplacing of internal wires and components which could cause serious hazard. We recommend that all tool service be performed by a FLEX Factory Service Center or Authorized FLEX Service Station.

GENERAL MAINTENANCE

⚠ WARNING When servicing, use only identical replacement parts. Use of any other parts could create a hazard or cause product damage.

Periodically inspect the entire product for damaged, missing, or loose parts such as screws, nuts, bolts, caps, etc. Securely tighten all fasteners and caps and do not operate this product until all missing or damaged parts are replaced. Please contact customer service or an authorized service center for assistance.

⚠ WARNING To avoid serious personal injury, always remove the battery pack from the charger/tool when cleaning or performing any maintenance.

CLEANING

⚠ WARNING The tool may be cleaned most effectively with compressed dry air. **Always wear safety goggles when cleaning tools with compressed air.**

Ventilation openings and switch selectors must be kept clean and free of foreign matter. Do not attempt to clean by inserting pointed objects through openings.

⚠ WARNING Certain cleaning agents and solvents damage plastic parts. Some of these are: gasoline, carbon tetrachloride, chlorinated cleaning solvents, ammonia and household detergents that contain ammonia.

STORAGE

Store the tool indoors in a place that is inaccessible to children. Keep away from corrosive agents.

WARRANTY STATEMENT

Chervon Australia Pty Ltd (ABN 36 165 077 501) of Unit 14,5 Kelletts Road, Rowville, Victoria, 3178, and Chervon New Zealand Subsidiary Ltd (NZBN 9429049277616) (**Chervon**) provides the following warranty (**Warranty**) to original domestic purchasers in Australia and New Zealand as applicable (**Customers**) of its FLEX24V Tools, FLEX24V Batteries and Chargers and FLEX STACK PACK Storage System (collectively **Products**).

The benefits of this Warranty are in addition to any rights and remedies imposed by Australian State and Federal or New Zealand legislation that cannot be excluded. Nothing in this Warranty is to be interpreted as excluding, restricting or modifying any legislation relevant to the supply of goods and services in Australia or New Zealand, as applicable, which cannot be excluded, restricted or modified.

In Australia, if the claimant is a “consumer” under the Australian Consumer Law, Chervon confirms the following:

Our goods come with guarantees that cannot be excluded under the Australian Consumer Law. You are entitled to a replacement or refund for a major failure and compensation for any other reasonably foreseeable loss or damage. You are also entitled to have the goods repaired or replaced if the goods fail to be of acceptable quality and the failure does not amount to a major failure.

WARRANTY

Chervon warrants that, subject to the terms of this Warranty and the exclusions and limitations contained herein, the Products will be free from defects in materials and workmanship for the following period, as applicable, calculated from the date of purchase of the Product (**Warranty Period**):

- If the Customer registers its purchase of the Product online at www.flex-tools.com.au or by calling 1300 000 346 in Australia or www.flex-tools.co.nz or by calling 0508 000 346 in New Zealand within 30 days of the date of its purchase (**Registration**), the Warranty Period for the following Products is as follows:
 - FLEX 24V Tools: 5 years;
 - FLEX 24V Batteries and Chargers: 5 years;
 - FLEX Stack Pack™ Storage System: 1 year;
 - FLEX Accessories & Consumables: 90Days
- If the Customer fails to complete Registration as outlined above, the Warranty Period for the following Products is as follows:
 - FLEX 24V Tools: 3 years;
 - FLEX 24V Batteries and Chargers: 3 years;
 - FLEX Stack Pack™ Storage System: 1 year;
 - FLEX Accessories & Consumables: 90 Days

For further clarification and avoidance of doubt please refer to the FLEX product warranty table included below.

If, before the end of the Warranty Period, a defect appears in the manufacture or assembly of a Product, and Chervon finds the Product to be defective in materials or workmanship, it will, in its sole discretion, either:

- replace or repair the Product or the defective part of the Product free of charge; or
- cause the Product or the defective part of the Product to be replaced or repaired free of charge.

Chervon reserves the right to replace a defective Product or part of a Product with parts and components of similar quality, grade and composition where an identical part or component is not available. Where the product is repaired, Chervon may use refurbished parts.

WARRANTY CLAIMS

1. If a defect covered by Warranty appears, you must first contact Chervon:
 - a) by telephone on 1300 000 346 (AU); or 0508 000 346 (NZ); or
 - b) by email at support@flex-tools.com.au.
2. Any Warranty claim must be accompanied by:
 - a) proof of purchase;
 - b) full details of the alleged defect;
 - c) photo evidence of the alleged defect; and
 - d) any other relevant documents.
3. You must allow Chervon or its authorised agent to inspect and test the Product. If that inspection and test finds no defect in the Product, you must pay Chervon's usual service and testing costs.
4. Unless otherwise agreed in writing by Chervon, you must pay the cost of transporting the Product to and from Chervon or Chervon's authorised agent and any related insurance cost. Any handling and transportation costs (and other expenses incurred in claiming this warranty) are not covered by this warranty and will not be borne by Chervon.
5. The replacement product or part, or repaired product will be made available for your collection at an address nominated by Chervon.
6. Customers are responsible for the care and cleaning of their product prior to sending it to back to Chervon or its nominated authorised repair agents. Any product being sent for repair must be cleaned. It is an Occupational/Work Health and Safety risk for our staff or authorised repairers to inspect, repair or service a product that has come into contact with a hazardous substance.
7. If Chervon or its authorised repair agent is to inspect, repair or service a product that has come into contact with a hazardous substance such as asbestos, silica dust or other hazardous substance then we may not be able to inspect, service or repair the product. If this is the case, Chervon reserves the right to refuse repair under these circumstances and will inform the customer and the product will be returned at the customer's expense.

EXCLUSIONS

The Warranty does not apply if:

- a) the Product is not supplied in its final shape and form by Chervon or an authorised FLEX Dealer, which can be confirmed on the website store locator (for avoidance of doubt, third party online stores such as eBay, Gumtree, Amazon, etc. are excluded);
- b) the Product is altered, modified or repaired by a party other than Chervon or its agent;
- c) the Product is used other than for its designed purpose;
- d) the Product is used for rental purposes;
- e) the Product is used or installed other than in accordance with Chervon's instructions;
- f) the Product has not been maintained or protected in accordance with Chervon's instructions;
- g) the Product has been subject to abnormal conditions;
- h) the product suffers normal deterioration of the exterior finish, including but not limited to scratches, dents, paint chips, or to any corrosion or discolouring by heat, abrasive and chemical cleaners;
- i) the Product is involved in an accident;
- j) Chervon cannot find any defect in the Product after testing, inspection and assessment;
- k) the alleged defect is due to abuse, misuse, neglect (including failure to clean) or accident;
- l) the alleged defect is due to a failure to properly maintain or use the Product;
- m) the alleged defect in the Product is within acceptable industry standards or tolerances; or
- n) the alleged defect is due to a request to customise the Product;

- o) the alleged defect is due to normal wear and tear, misuse or abuse (including overloading of the product beyond capacity and exposure to water or rain);
- p) The alleged defect has been used or caused due to continuous industrial use.

The Warranty does not extend to:

- a) damage or defects caused by normal wear and tear;
- b) the Products being damaged by you or a third party;
- c) accidental or wilful damage, or misuse; or
- d) theft or vandalism.

This Warranty does not extend to other accessories or attachments.

LIMITATIONS

Chervon makes no express warranties or representations other than as set out in this document.

Chervon will not be liable to you or any other person in connection with this Warranty for any:

- a) consequential or indirect loss, damage or costs incurred by you or any other person; or
- b) damage to property, loss of turnover, loss of profits, loss of business or loss of good will.

CONTACT

For Warranty Service or to make a claim please contact Chervon on the details below between the hours of Monday to Friday 9:00am to 5:00pm EST/NZST (as applicable)

Chervon Australia Pty Ltd

Unit 14, 5 Kelleets Rd, Rowville, VIC. 3178.

Ph Australia; 1300 000 346. Email: support@flex-tools.com.au

Chervon New Zealand Subsidiary Ltd

4th Floor, Smith & Caughey Building, 253 Queen St, Auckland, 1141.

Ph New Zealand; 0508 000 346. Email: support@flex-tools.com.au

	NON REGISTER	REGISTRATION WITHIN 30 DAYS OF PURCHASE
PRODUCT OR MODEL #	LIMITED STANDARD WARRANTY PERIOD	LIMITED WARRANTY PERIOD WITH REGISTRATION WITHIN 30 DAYS FROM DATE OF PURCHASE*
FLEX 24V Lithium-ion power tools	3 Years	5 Years
FLEX 24V Lithium-ion Batteries and Chargers	3 Years	5 Years
FLEX Accessories & Consumables	90 Days	90 Days
FLEX STACK PACK™ Storage system	1 Year	1 Year

*Original purchaser must register the product(s) within 30 days of purchase and retain their receipt as proof of purchase. This warranty applies only to the original purchaser from an authorised FLEX dealer and may not be transferred. If original purchaser does not register their product within 30 days, the warranty will apply for the duration set out in table above in column 'LIMITED STANDARD WARRANTY PERIOD'. For avoidance of doubt please refer to warranty table above and full warranty details in this manual or on our website at www.flex-tools.com.au

